



RETAIL CATALOGUE **2018**

Wall mounts and stands for TVs, speakers and tablets



Table of content

Building our brand	3
Consumer support	4
We offer help	5
Wall mounts NEXT	6
MotionSoundMount - NEW	7
SoundMount - NEW	8
MotionMount - NEW	9
DesignMount	10
Wall mount for LG OLED - NEW	11
Floor stand - NEW	12
Design accessories	13
Wall mounts THIN	14
Turn wall mounts - NEW	15
Tilt wall mounts - NEW	17
Flat wall mounts - NEW	18
Wall mount for large TV screens - NEW	19
Stud adapter for TV wall mount - NEW	19
Wall mounts W Series	20
Turn wall mounts	21
Tilt wall mounts	26
Flat wall mounts	27
Wall mounts for heavy TV screens	28
Wall mounts M Series	29
Turn wall mounts	30
Tilt wall mounts	32
Flat wall mounts	34
Wall mounts flat to the wall	36
TV Floor stands	38
Accessories	40
Cable column + AV support	41
Cable covers	42
Projector mounts	43
Speaker Stands & Brackets	44
Heos Wall Brackets, stand	45
Sonos Wall Brackets, stands	46
Speaker Stands & Brackets - NEW	47
Sound Bar Brackets	51
Tablet Holders	52

Building our brand

With a consistent and clear brand positioning, together we can build a strong and leading brand image that mirrors the essence of our company.

Vogel's took this year a coordinating role across markets by introducing the Value Partner Program. To ensure a consistent brand positioning & execution of our marketing communication tools and commercial instruments.

The Value Partner Program is firmly based on the Vogel's DNA: A leading innovative category specialist with a strong track record. But it comes all down to a solid presence at the relevant Point of Sale (on- and offline) with a highly consistent and clear brand positioning. The only way to ensure the shopper is confronted with such an excellent execution is through the combined focus of all partners.

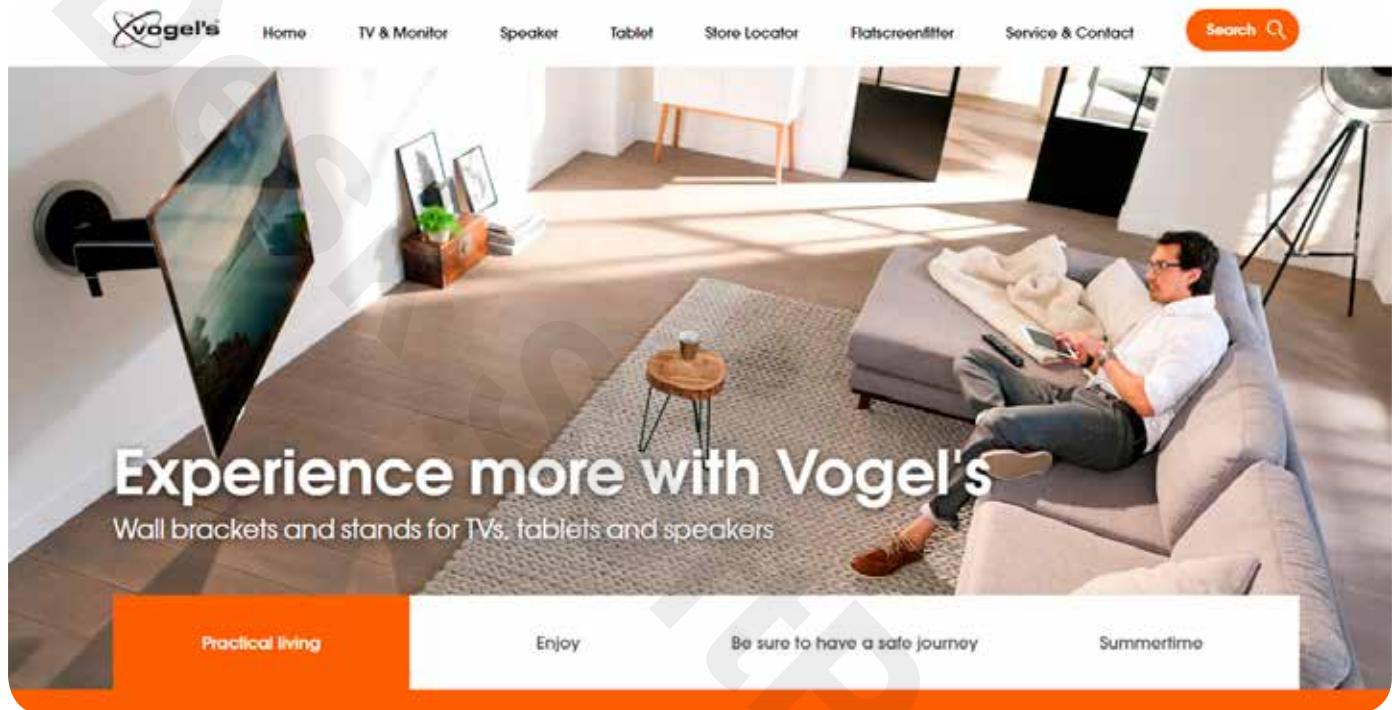
This new strategic building block in combination with the introduction of our new additions in the NEXT and THIN series, I look forward to a long and mutually prosperous cooperation. Together we create more business value together!

Gerdi Vogels
CEO Vogel's



Vogel's online experience platform

In our tremendously influential and fast-changing online world, how we present ourselves on the Internet is very important. For this reason, a new Vogel's website was launched in Spring 2017. Vogel's online platform gives visitors a flawless online experience. It is designed for consumers as well as professional customers. It will add to building a strong and desirable brand, from which we all profit.



INSPIRATIONAL CONTENT

The website is designed based on different visitor profiles. The visitor is supported during all possible touchpoints in the customer journey, from pre-purchase to post-purchase. Instead of a product catalog, we provide advice and experience for our category for both the CE and Professional visitor.

FIND THE PERFECT TV BRACKET

TV Mount Advisor is the online consumer advice tool from Vogel's. This tool is updated with the relaunch of the website to and it helps consumers find the right TV mount for their homes.

Vogels.com is now ready for the future with useful & inspirational content on advice and experience.

Service kits



The following Vogel's Service kits are available:

Service kit number	Description	Content
999932	Service Kit - Spacers (25 mm), M4-M5 bolts (40 mm) Free of charge	4x M4x40, 4x M5x40, Spacers 4x M8x14x25, Washers 4x M6x22x2
999939	Service Kit - Spacers (10 mm), M4-M5-M6-M8 bolts (30 mm) Free of charge	4x M4x30, 4x M5x30, 4x M6x30, 4x M8x30, Spacers 4x D12xD8,2x10
999945	Service Kit - M8 bolts (12 mm) Free of charge	4x M8x12mm
999958	Service Kit - M8 bolts (20 mm) Free of charge	4x M8x20mm
999989	Service Kit - M8 bolts (45 mm) Free of charge	4x M8x45mm
999997	Service Kit - M8 bolts (25 mm) Free of charge	4 x M8x25mm
999998	Service Kit - Spacers (20 mm), M8 bolts (40 mm) Free of charge	4xM8x40mm, 8x10mm spacers
896012	Adaptor Kit - FAPA-01 7,99 Euro	FAPA-01 profiles for VESA 100 and 120
999039	Adaptor Kit - SONY 3,99 Euro	2x M6 x 16 bolts, 2x M5 x 50 bolts, 2x M6 x H10 x L40 spacers, 4x M6 washers
999800	Adaptor Kit - Playbar Free of charge	Caps to fit hole behind playbar, 2x nuts, 2x ringlef
999966	Adaptor Kit - LOEWE 79,99 Euro	For Loewe Bild 7 screens
999967	Adaptor Kit - OLED 11,99 Euro	One strip for asymmetric VESA, 2x M6x8, 4x M6x20. 2 Spacers 10 mm



The very best in wall mount
technology

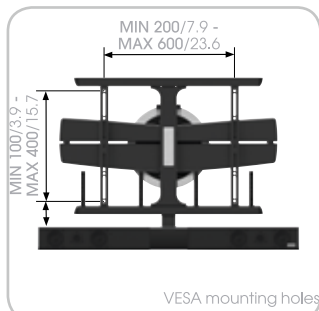
NEXT series

If you choose a NEXT bracket, you do not just choose a beautiful bracket, but also the best wall bracket!

Intuitive usage and very supple hinges. The NEXT is the new future standard: motorized TV brackets with an integrated soundbar. The cables are invisibly hidden in the fixture, and the Screen Protection System ensures that your valuable TV does not bump into the wall.



Add more experience to your TV



NEXT 8375 MotionSoundMount



NEW

TV SIZE 40-65" / 102-165 cm

MAX. WEIGHT 30 kg

MAX. VESA SIZE 600 x 400 mm

- All in one: motorised full motion wall mount + integrated soundbar + wireless subwoofer
- TV wall mount that turns automatically
- App controlled
- Up to 10 pre-programmable positions (via app)
- Turns automatically when the TV is switched on and off
- Turn up to 120°
- Sound that moves with your TV
- Control the soundbar with your TV remote
- 300 Watt sound output in total
- Bluetooth audio streaming
- Wireless subwoofer can be placed anywhere
- Cable Inlay System (CIS®): hide all unsightly cables
- Easy adjust: Straight mounting guaranteed
- Extends up to 72 cm/28.3 inch
- Combine with NEXT 7840 Cable Column



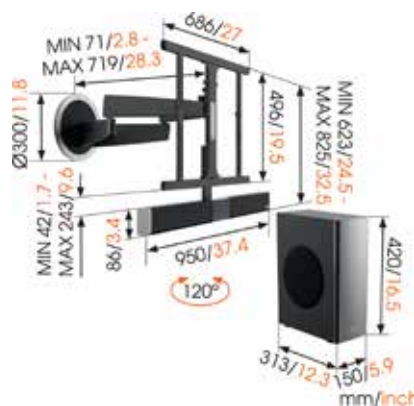
TURN

TV WALL BRACKETS

Add more experience to your TV



NEXT 8365
SoundMount



NEW

TV SIZE 40-65" / 102-165 cm

MAX. WEIGHT 30 kg

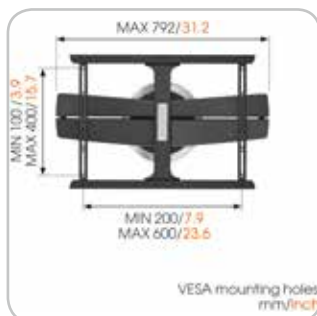
MAX. VESA SIZE 600 x 400 mm

- All in one: full motion wall mount + integrated soundbar + wireless subwoofer
- Turn up to 120°
- Sound that moves with your TV
- Control the soundbar with your TV remote
- Bluetooth audio streaming
- 300 Watt sound output in total
- Wireless subwoofer that can be placed anywhere
- Cable Inlay System (CIS®): hide all unsightly cables
- Easy adjust: Straight mounting guaranteed
- Extends up to 72 cm/28.3 inch
- Combine with NEXT 7840 Cable Column

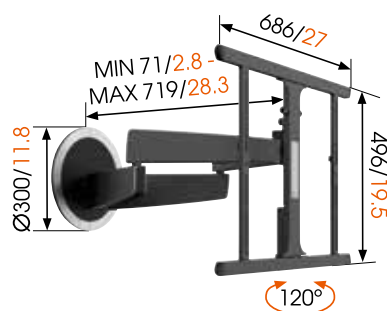


TURN

TV WALL BRACKETS



NEXT 7355 MotionMount



NEW

mm/inch

TV SIZE 40-65" / 102-165 cm

MAX. WEIGHT 30 kg

MAX. VESA SIZE 600 x 400 mm

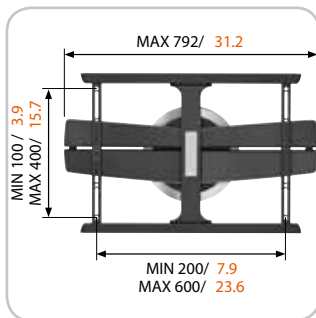
- Motorised TV wall mount that turns automatically
- Up to 10 pre-programmable positions (via app)
- Turns automatically when the TV is switched on and off
- Turn up to 120°
- Cable Inlay System (CIS®): hide all unsightly cables
- Easy adjust: Straight mounting guaranteed
- Extends up to 72 cm/28.3 inch
- Combine with NEXT 7840 Cable Column

TURN

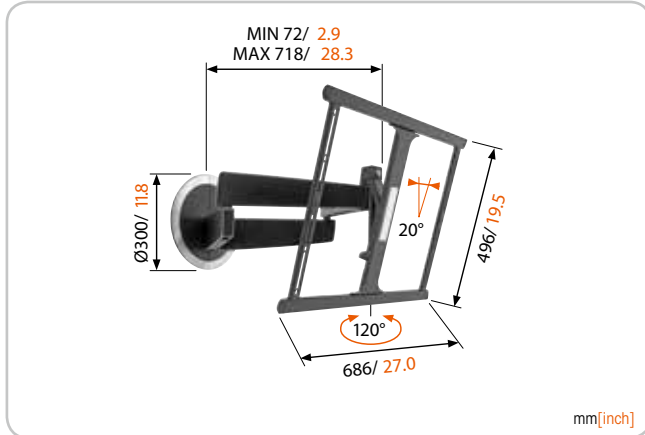
TV WALL BRACKETS



Pure design from back to front



NEXT 7345 DesignMount



TV SIZE 40-65" / 102-165 cm

MAX. WEIGHT 30 kg

MAX. VESA SIZE 600 x 400 mm

- Turn up to 120° and tilt up to 20°
- Screen Protection System (SPS®): Vogel's patented Screen Protection System (SPS) protects your flatscreen from bumping into the wall when turning
- Smart Movement Mechanism (SMM®): The patented Smart Movement Mechanism (SMM) lets you move your TV screen with the touch of a fingertip
- Magnetic Home Position: Your screen always straight with the Vogel's patented Easy Click home system
- Easy adjust: Straight mounting guaranteed
- Cable Inlay System (CIS®): hide all unsightly cables
- Extends up to 72 cm/28.3 inch
- Combine with NEXT 7840 Cable Column



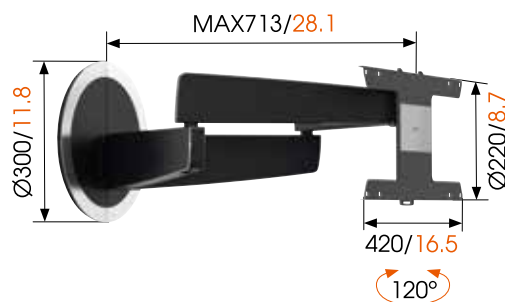
TURN

TV WALL BRACKETS



NEXT 7346

Made especially for LG OLED



NEW

mm/inch

TV SIZE 40-65" / 102-165 cm

MAX. WEIGHT 30 kg

- Especially suited to the most recent LG OLED series: LG OLED G6, E6, C6, B6, B7, C7, E7
- Turn up to 120°
- Sleek, graceful design
- Movement Mechanism (SMM) lets you move your TV screen with the touch of a fingertip
- Easy adjust: Straight mounting guaranteed
- Cable Inlay System (CIS®): hide all unsightly cables
- Extends up to 72 cm/28.3 inch
- Combine with NEXT 7840 Cable Column

TURN

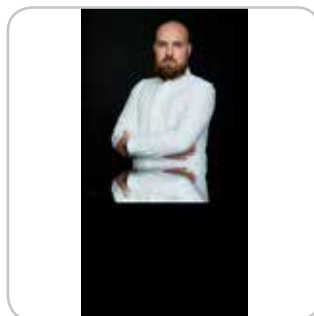
TV WALL BRACKETS



mm/inch
 VESA mounting holes



Pure design from back to front



NEXT OP1



NEW

TV SIZE 46-70" / 117-178 cm

MAX. WEIGHT 40 kg

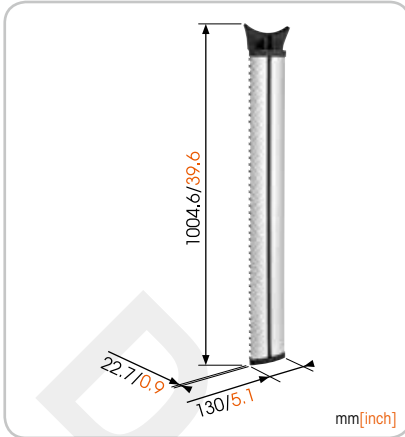
MAX. VESA SIZE 400 x 400 mm

- Your TV as focal point of the room
- FSC certified oak
- Cable Inlay System (CIS®)
- Designer collaboration series
- Attach your console with the elegant OPHANG accessory



Accessories

NEXT 7840 Cable Column



MAX. WEIGHT 40 kg

- Especially designed for MotionSoundMount NEXT 8375 / SoundMount NEXT 8365 / MotionMount NEXT 7355 and DesignMount NEXT 7345
- Sleek, graceful design
- Aluminium product
- Hide up to 10 cables
- Only 2 cm / 0.08 inch from the wall
- Combine with NEXT 7825 AV Multi support to store AV & multimedia equipment (Max. 4x NEXT 7825)



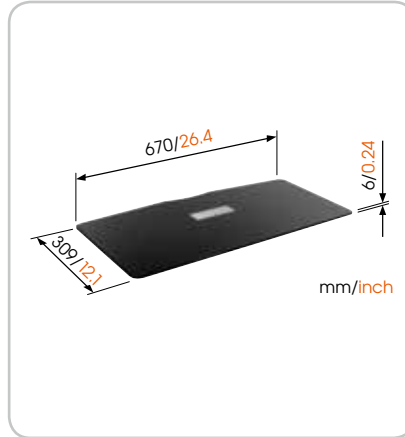
reddot award 2014
winner



product
design award
2014



NEXT 7825 AV Multi Support



MAX. WEIGHT 10 kg

- Complete solution for all media equipment
- Sleek graceful design
- Made of high quality safety glass
- Can be positioned at any height in the column

Must be combined with cable column
NEXT 7840



reddot award 2014
winner



product
design award
2014



NEXT OPHANG Additional console holder for OP1



NEW

- Additional leather & steel console holder for OP1
- Attach your console behind the TV
- Designer collaboration Series

Must be combined with OP1 TV Floor
stand

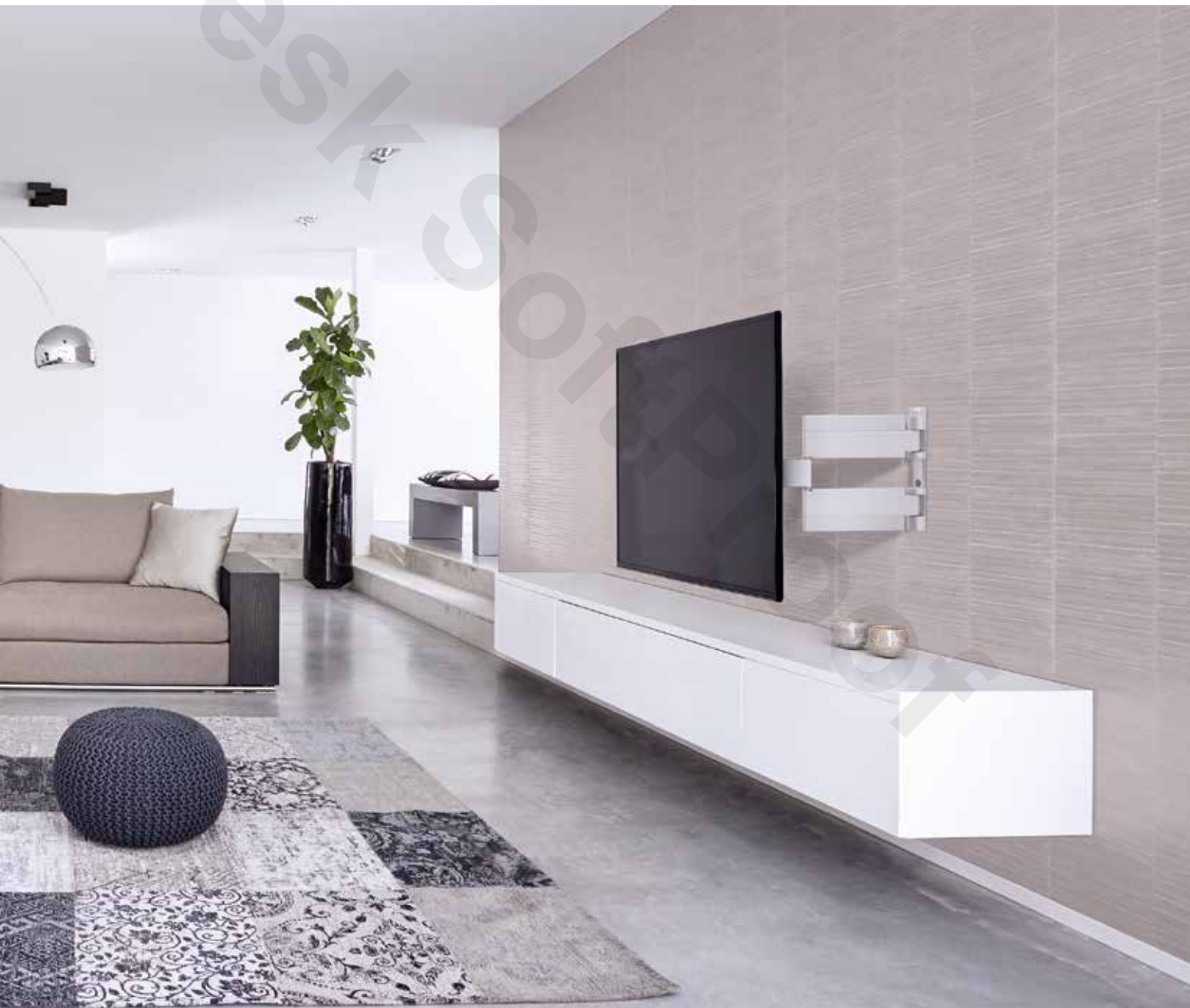




THIN series

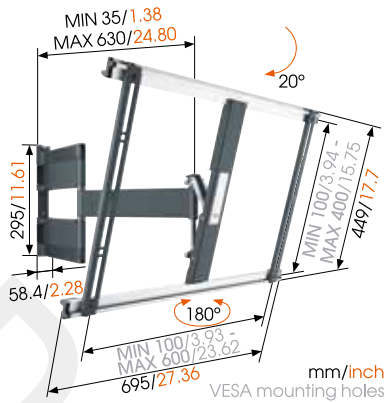
The thinnest TV wall mounts of
them all

Choosing a Vogel's THIN wall mount is wanting so much more than a piece of metal you attach to the wall to showcase your television. It's a mount so thin, it's almost invisible. What's more: its quality has been thoroughly and manually tested.



Experience the best view anywhere in the room

THIN 545



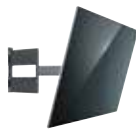
NEW

TV SIZE 40-65" / 102-165 cm

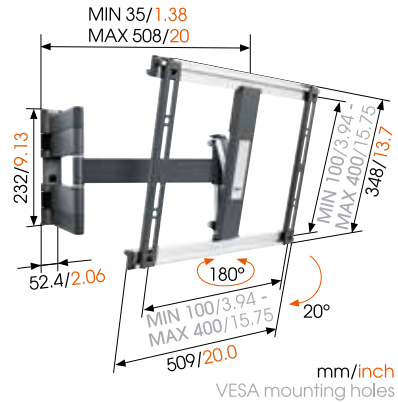
MAX. WEIGHT 25 kg

MAX. VESA SIZE 600 x 400 mm

- Turn up to 180° and tilt up to 20°
- Only 3,5 cm / 1.4 inch from the wall
- Extends up to 63 cm / 24.8 inch
- Cable Inlay System, hide your cables
- Easy level adjustment
- Double turn option
- Tilt lock option
- For use around a corner or in a cabinet
- Choose white or black to match any decor



THIN 445



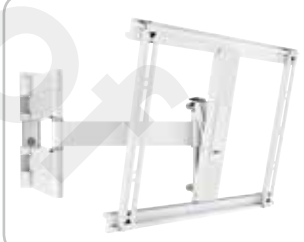
NEW

TV SIZE 26-55" / 66-140 cm

MAX. WEIGHT 18 kg

MAX. VESA SIZE 400 x 400 mm

- Turn up to 180° and tilt up to 20°
- Only 3,5 cm / 1.4 inch from the wall
- Extends up to 51 cm / 20.1 inch
- Cable Inlay System, hide your cables
- Easy level adjustment
- Double turn option
- Tilt lock option
- For use around a corner or in a cabinet
- Choose white or black to match any decor

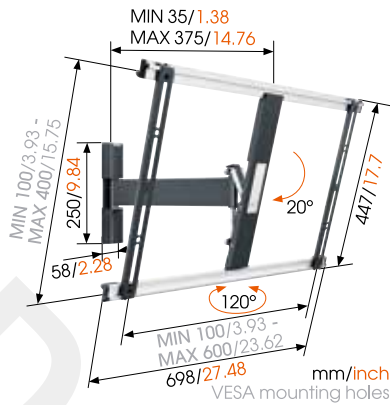


TURN

TV WALL BRACKETS

Experience the best view anywhere in the room

THIN 525



NEW

TV SIZE 40-65" / 102-165 cm

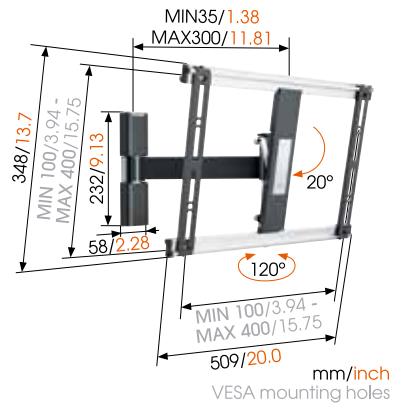
MAX. WEIGHT 25 kg

MAX. VESA SIZE 600 x 400 mm

- Turn up to 120 degrees
- Tilt up to 20 degrees
- Extends up to 37 cm / 14.6 inch
- Only 3,5 cm / 1.4 inch from the wall
- 2 pivot points
- Easy level adjustment
- Double turn option
- Tilt lock option



THIN 425



NEW

TV SIZE 26-55" / 66-140 cm

MAX. WEIGHT 18 kg

MAX. VESA SIZE 400 x 400 mm

- Turn up to 120 degrees
- Tilt up to 20 degrees
- Extends up to 30 cm / 11.8 inch
- Only 3,5 cm / 1.4 inch from the wall
- 2 pivot points
- Easy level adjustment
- Double turn option
- Tilt lock option

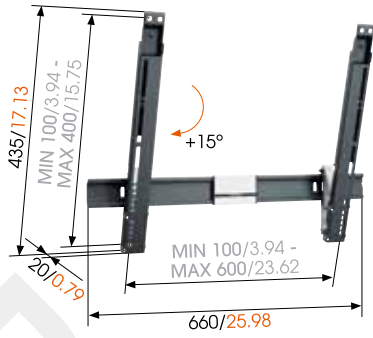


TURN

TV WALL BRACKETS

Ideal for a TV placed high on the wall

THIN 515



NEW

mm/inch
VESA mounting holes

TV SIZE 40-65" / 102-165 cm

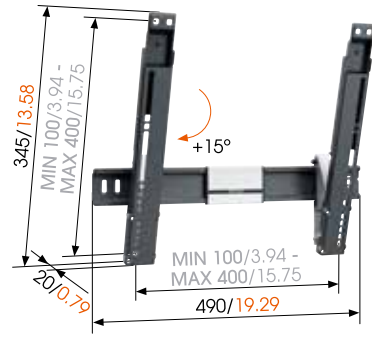
MAX. WEIGHT 25 kg

MAX. VESA SIZE 600 x 400 mm

- Tilt up to 15 degrees
- Only 2 cm / 0.8 inch from the wall
- Straight mounting guaranteed thanks to the integrated spirit level



THIN 415



NEW

mm/inch
VESA mounting holes

TV SIZE 26-55" / 66-140 cm

MAX. WEIGHT 18 kg

MAX. VESA SIZE 400 x 400 mm

- Tilt up to 15 degrees
- Only 2 cm / 0.8 inch from the wall
- Straight mounting guaranteed thanks to the integrated spirit level

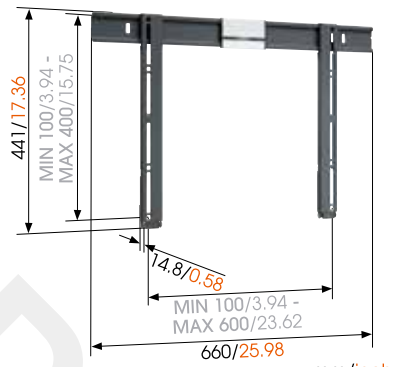


TILT

TV WALL BRACKETS

Experience the TV as a painting on the wall

THIN 505



NEW

mm/inch
VESA mounting holes

TV SIZE 40-65" / 102-165 cm

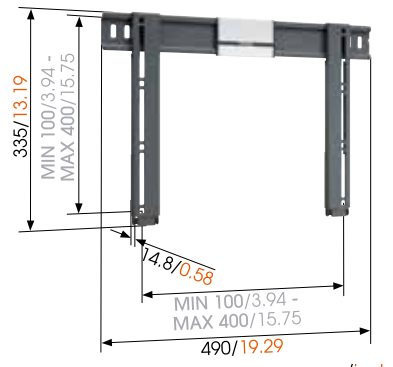
MAX. WEIGHT 40 kg

MAX. VESA SIZE 600 x 400 mm

- Only 1,5 cm / 0.6 inch from the wall
- Straight mounting guaranteed thanks to the integrated spirit level
- Easy cable access with cable service positioning



THIN 405



NEW

mm/inch
VESA mounting holes

TV SIZE 26-55" / 66-140 cm

MAX. WEIGHT 25 kg

MAX. VESA SIZE 400 x 400 mm

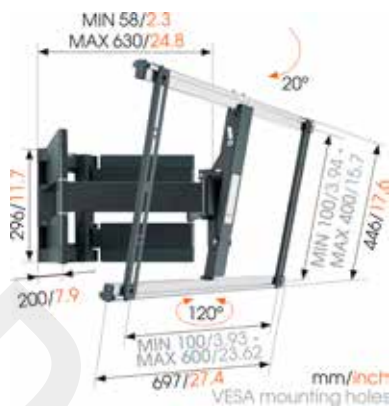
- Only 1,5 cm / 0.6 inch from the wall
- Straight mounting guaranteed thanks to the integrated spirit level
- Easy cable access with cable service positioning



FLAT

TV WALL BRACKETS

THIN 550



NEW

TV SIZE 40-100" / 102-254 cm

MAX. WEIGHT 70 kg

MAX. VESA SIZE 600 x 400 mm

- Turn up to 120° and tilt up to 20°
- Only 5,8 cm / 2.3 inch from the wall
- Extends up to 63 cm / 44.8 inch
- Cable Inlay System, hide your cables
- Easy level adjustment
- Ultra Strong



THIN 595

Stud adapter for TV brackets



NEW

MAX. WEIGHT 70 kg

- Designed especially for (metal frame) hollow walls
- Suitable for hollow wall frames up to 600 mm apart
- Suitable for the THIN 550, THIN 545 and THIN 525



TURN

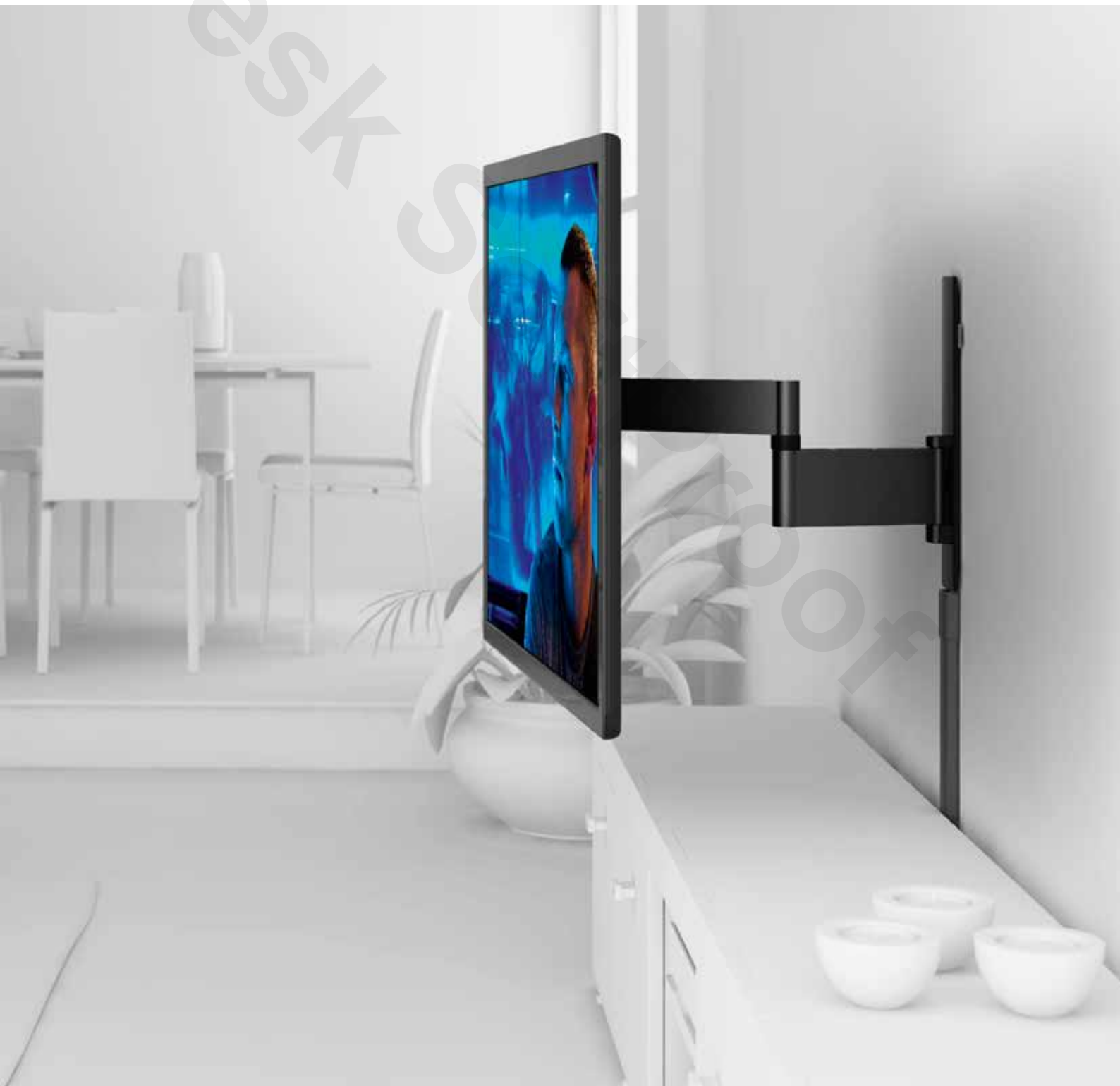
TV WALL BRACKETS



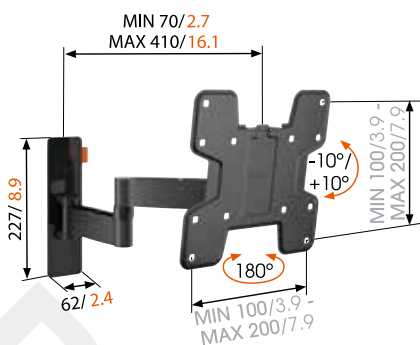
W series

Stylish TV wall mounts for every TV

Choosing a Vogel's W Series means selecting a solid contemporary mount with big possibilities for today and tomorrow. Easily supporting the smallest as well as the biggest of screens, from kitchen to home cinema.



W53060



NEW

mm/inch
VESA mounting holes

TV SIZE 19-40" / 48-102 cm

MAX. WEIGHT 15 kg

MAX. VESA SIZE 200 x 200 mm

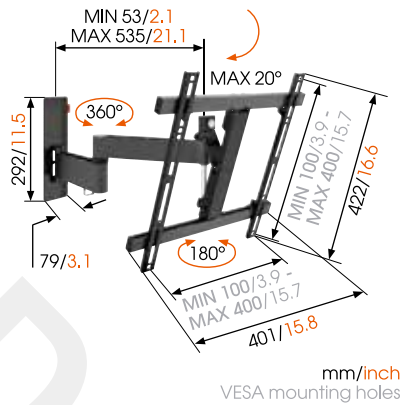
- Turn your TV (up to 180°) smoothly from couch to dining table
- Tilt (+10°/-10°) to avoid reflections and watch with more comfort
- Easily level your TV for the perfect picture, even after installation
- Guide your cables and avoid damage



TURN

TV WALL BRACKETS

W53070



mm/inch
VESA mounting holes

TV SIZE 32-55" / 81-140 cm

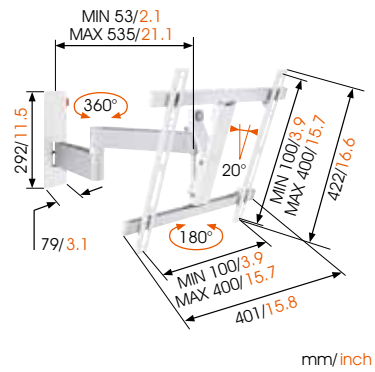
MAX. WEIGHT 20 kg

MAX. VESA SIZE 400 x 400 mm

- Turn your TV (up to 180°) smoothly from couch to dining table
- Tilt (+20°) to avoid reflections and watch with more comfort
- Easily level your TV for the perfect picture, even after installation
- Guide your cables and avoid damage



W53071



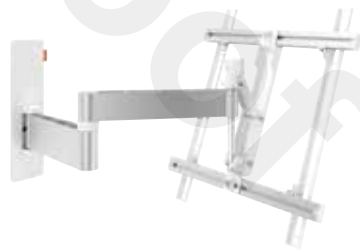
mm/inch

TV SIZE 32-55" / 81-140 cm

MAX. WEIGHT 20 kg

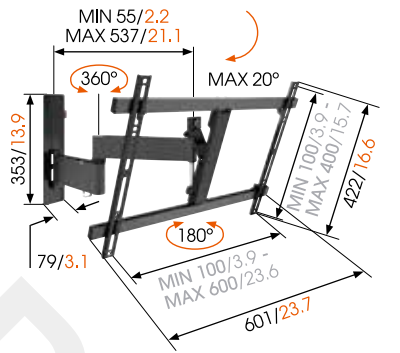
MAX. VESA SIZE 400 x 400 mm

- Turn your TV (up to 180°) smoothly from couch to dining table
- Tilt (+20°) to avoid reflections and watch with more comfort
- Easily level your TV for the perfect picture, even after installation
- Guide your cables and avoid damage



Experience the best view anywhere in the room

W53080



mm/inch
VESA mounting holes

TV SIZE 40-65" / 102-165 cm

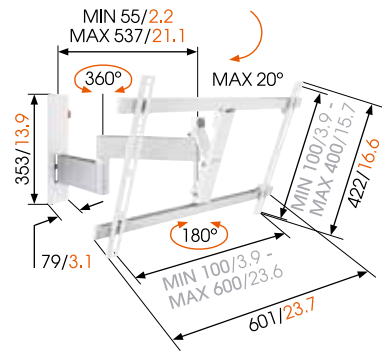
MAX. WEIGHT 30 kg

MAX. VESA SIZE 600 x 400 mm

- Turn your TV (up to 180°) smoothly from couch to dining table
- Tilt (+20°) to avoid reflections and watch with more comfort
- Easily level your TV for the perfect picture, even after installation
- Guide your cables and avoid damage



W53081



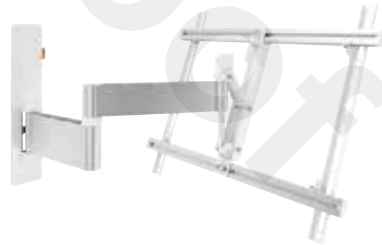
mm/inch
VESA mounting holes

TV SIZE 40-65" / 102-165 cm

MAX. WEIGHT 30 kg

MAX. VESA SIZE 600 x 400 mm

- Turn your TV (up to 180°) smoothly from couch to dining table
- Tilt (+20°) to avoid reflections and watch with more comfort
- Easily level your TV for the perfect picture, even after installation
- Guide your cables and avoid damage

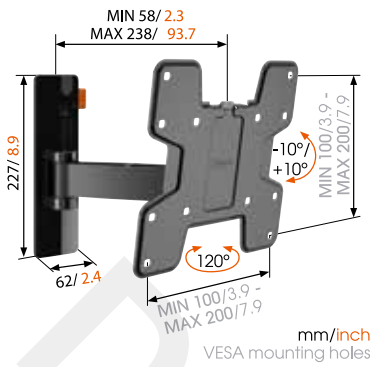


TURN

TV WALL BRACKETS

Experience the best view anywhere in the room

W52060



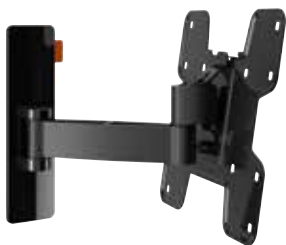
NEW

TV SIZE 19-40" / 48-102 cm

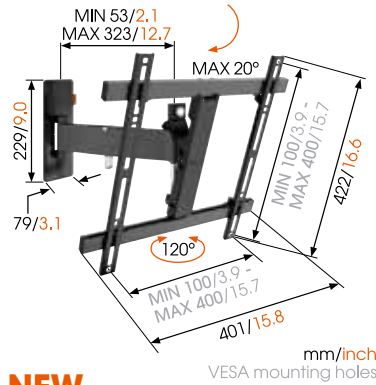
MAX. WEIGHT 15 kg

MAX. VESA SIZE 200 x 200 mm

- Turn (up to 120°) to get the perfect view on your TV
- Tilt (+10°/-10°) to avoid reflections and watch with more comfort
- Easily level your TV for the perfect picture, even after installation
- Guide your cables and avoid damage



W52070



NEW

TV SIZE 32-55" / 81-140 cm

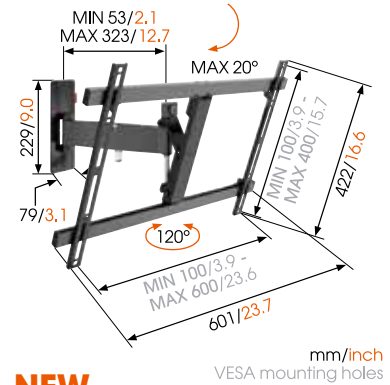
MAX. WEIGHT 20 kg

MAX. VESA SIZE 400 x 400 mm

- Turn (up to 120°) to get the perfect view on your TV
- Tilt (+20°) to avoid reflections and watch with more comfort
- Easily level your TV for the perfect picture, even after installation
- Guide your cables and avoid damage



W52080



NEW

TV SIZE 40-65" / 102-165 cm

MAX. WEIGHT 30 kg

MAX. VESA SIZE 600 x 400 mm

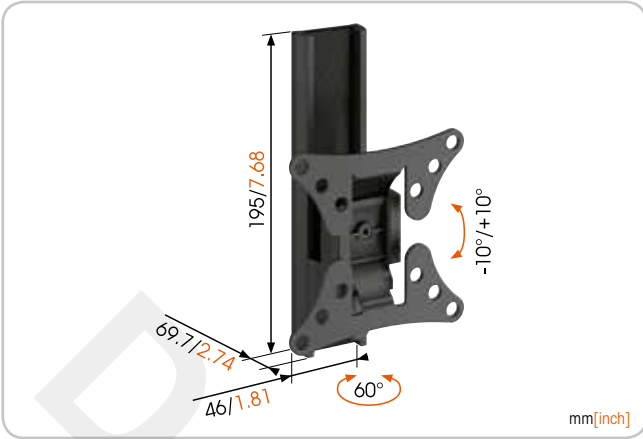
- Turn (up to 120°) to get the perfect view on your TV
- Tilt (+20°) to avoid reflections and watch with more comfort
- Easily level your TV for the perfect picture, even after installation
- Guide your cables and avoid damage
- Choose white or black to match any decor



TURN

TV WALL BRACKETS

WALL 1020



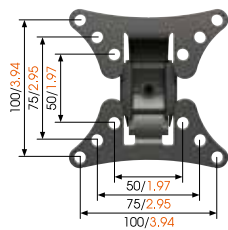
mm[inch]

TV SIZE 17-26" / 43-66 cm

MAX. WEIGHT 15 kg

MAX. VESA SIZE 100 x 100 mm

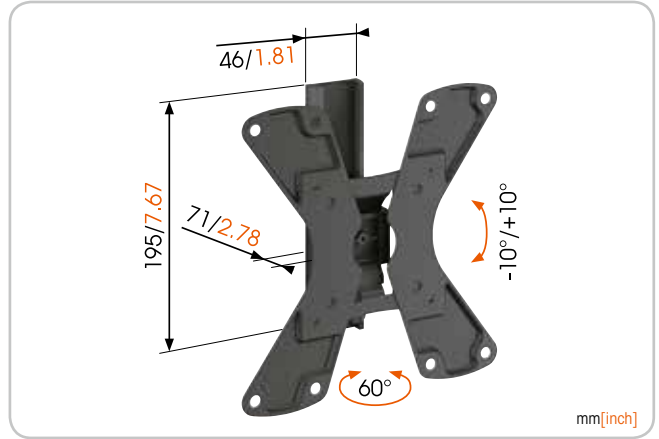
- Turn up to 60 degrees
- Tilt up to -10 / +10 degrees
- 1 pivot point



VESA mounting holes
mm[inch]



WALL 1120



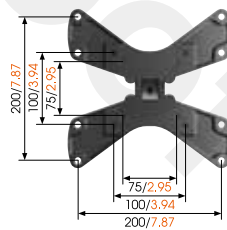
mm[inch]

TV SIZE 19-37" / 48-94 cm

MAX. WEIGHT 15 kg

MAX. VESA SIZE 200 x 200 mm

- Turn up to 60 degrees
- Tilt up to -10 / +10 degrees
- 1 pivot point



VESA mounting holes
mm[inch]

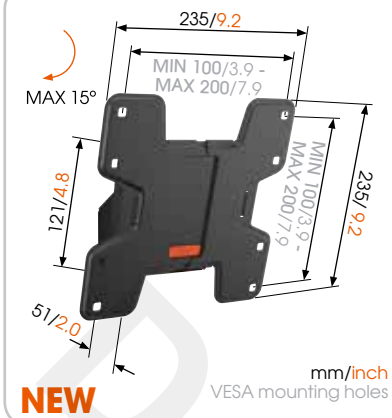


TURN

TV WALL BRACKETS

Ideal for a TV placed high on the wall

W50610



NEW

TV SIZE 19-40" / 48-102 cm

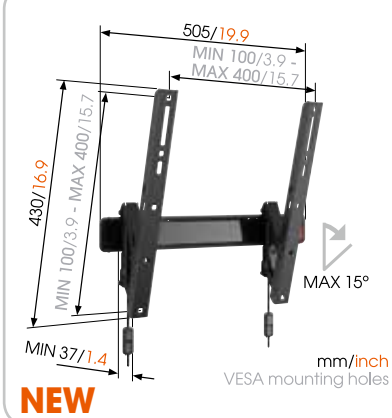
MAX. WEIGHT 20 kg

MAX. VESA SIZE 200 x 200 mm

- Tilt your TV (up to 15°) to avoid reflections and watch with more comfort
- Lock your TV securely in place
- Ideal for a TV placed high on the wall



W50710



NEW

TV SIZE 32-55" / 81-140 cm

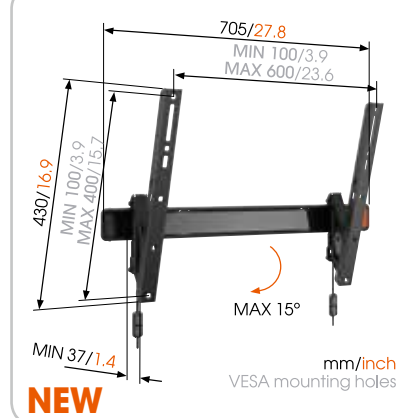
MAX. WEIGHT 30 kg

MAX. VESA SIZE 400 x 400 mm

- Tilt your TV (up to 15°) to avoid reflections and watch with more comfort
- Lock your TV securely in place
- Ideal for a TV placed high on the wall
- Spirit level included



W50810



NEW

TV SIZE 40-65" / 102-165 cm

MAX. WEIGHT 40 kg

MAX. VESA SIZE 600 x 400 mm

- Tilt your TV (up to 15°) to avoid reflections and watch with more comfort
- Lock your TV securely in place
- Ideal for a TV placed high on the wall
- Spirit level included

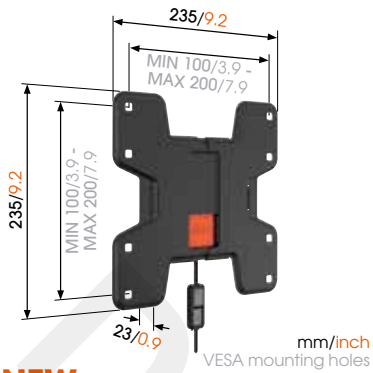


TILT

TV WALL BRACKETS

Experience the TV as a painting on the wall

W50060



NEW

mm/inch
VESA mounting holes

TV SIZE 19-40" / 48-102 cm

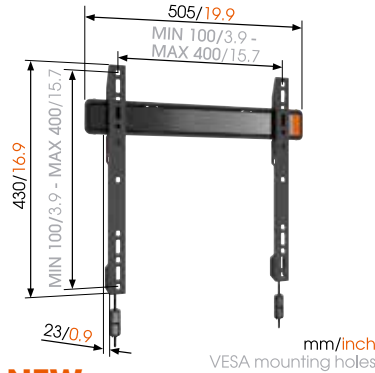
MAX. WEIGHT 20 kg

MAX. VESA SIZE 200 x 200 mm

- Only 2,3 cm from the wall
- Click your TV securely in place with the Autolock system
- Experience your TV as a painting on the wall



W50070



NEW

mm/inch
VESA mounting holes

TV SIZE 32-55" / 81-140 cm

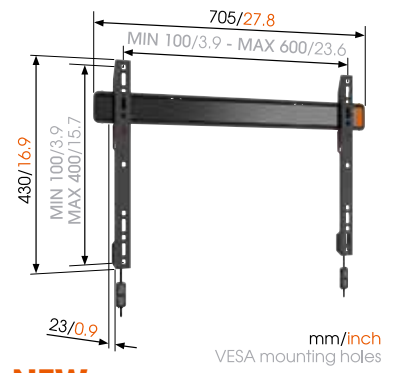
MAX. WEIGHT 50 kg

MAX. VESA SIZE 400 x 400 mm

- Only 2,3 cm from the wall
- Click your TV securely in place with the Autolock system
- Experience your TV as a painting on the wall
- Spirit level included



W50080



NEW

mm/inch
VESA mounting holes

TV SIZE 40-100" / 102-254 cm

MAX. WEIGHT 80 kg

MAX. VESA SIZE 600 x 400 mm

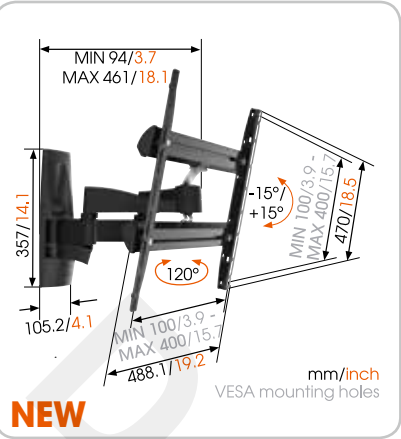
- Only 2,3 cm from the wall
- Click your TV securely in place with the Autolock system
- Experience your TV as a painting on the wall
- Spirit level included



FLAT

TV WALL BRACKETS

WALL 3250



TV SIZE 32-55" / 81-140 cm

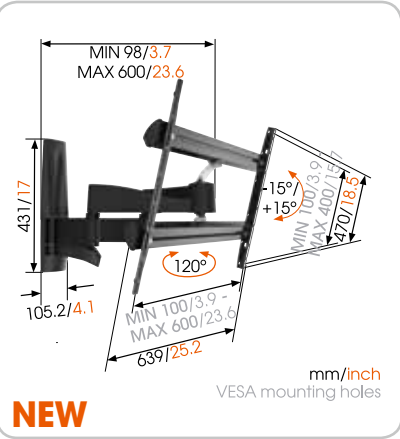
MAX. WEIGHT 35 kg

MAX. VESA SIZE 400 x 400 mm

- Ultra strong built for heavy TVs
- Forward motion for extra functionality
- Turn (up to 120°) to get the perfect view on your TV
- Tilt (-15/+15°) to avoid reflections and watch with more comfort
- Easily move the biggest screens thanks to strong arms with forward movement
- Conceal and hide your unsightly cables



WALL 3350



TV SIZE 40-65" / 102-165 cm

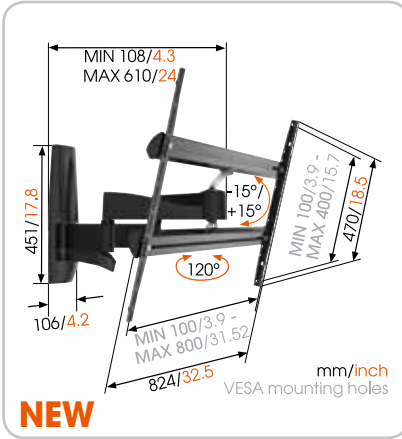
MAX. WEIGHT 45 kg

MAX. VESA SIZE 600 x 400 mm

- Ultra strong built for heavy TVs
- Forward motion for extra functionality
- Turn (up to 120°) to get the perfect view on your TV
- Tilt (-15/+15°) to avoid reflections and watch with more comfort
- Easily move the biggest screens thanks to strong arms with forward movement
- Conceal and hide your unsightly cables



WALL 3450



TV SIZE 55-100" / 140-254 cm

MAX. WEIGHT 55 kg

MAX. VESA SIZE 800 x 400 mm

- Ultra strong built for heavy TVs
- Forward motion for extra functionality
- Turn (up to 120°) to get the perfect view on your TV
- Tilt (-15/+15°) to avoid reflections and watch with more comfort
- Easily move the biggest screens thanks to strong arms with forward movement
- Conceal and hide your unsightly cables





M series

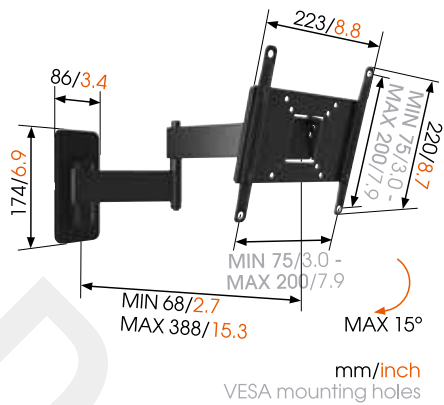
Basic and solid TV wall mounts

Choosing a Vogel's M-series is choosing a wall mount that combines quality and functionality with a price tag you wouldn't expect. It's the mount you can count on.



Full Turn wall mounts

MA 2040



TV SIZE 19-40" / 48-102 cm

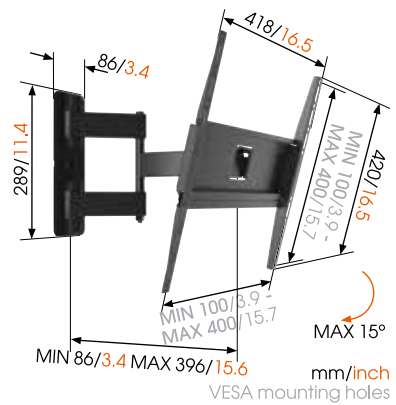
MAX. WEIGHT 15 kg

MAX. VESA SIZE 200 x 200 mm

- Experience the best view anywhere in the room
- Reliable quality for an affordable price
- Smoothly turn your TV up to 180°
- Maximum turn angle dependent on width of TV
- Tilt (up to +15°) to avoid reflections



MA 3040



TV SIZE 32-55" / 81-140 cm

MAX. WEIGHT 25 kg

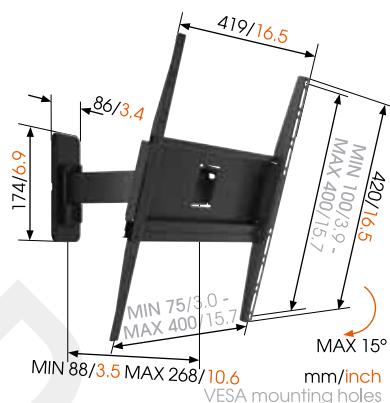
MAX. VESA SIZE 400 x 400 mm

- Experience the best view anywhere in the room
- Reliable quality for an affordable price
- Smoothly turn your TV up to 180°
- Maximum turn angle dependent on width of TV
- Tilt (up to +15°) to avoid reflections
- Lock your TV securely in place



Turn wall mounts

MA 3030



TV SIZE 32-55" / 81-140 cm

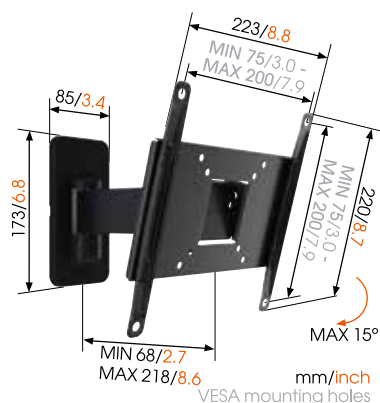
MAX. WEIGHT 25 kg

MAX. VESA SIZE 400 x 400 mm

- Experience the best view anywhere in the room
- Reliable quality for an affordable price
- Smoothly turn your TV up to 120°
- Maximum turn angle dependent on width of TV
- Tilt (up to +15°) to avoid reflections
- Lock your TV securely in place



MA 2030



TV SIZE 19-40" / 48-102 cm

MAX. WEIGHT 15 kg

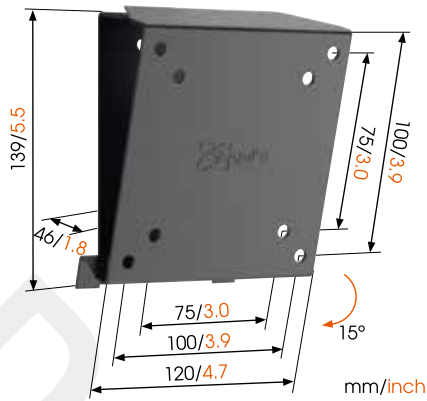
MAX. VESA SIZE 200 x 200 mm

- Experience the best view anywhere in the room
- Reliable quality for an affordable price
- Smoothly turn your TV up to 120°
- Maximum turn angle dependent on width of TV
- Tilt (up to +15°) to avoid reflections



Tilt wall mounts

MA 1010



TV SIZE 17-26" / 43-66 cm

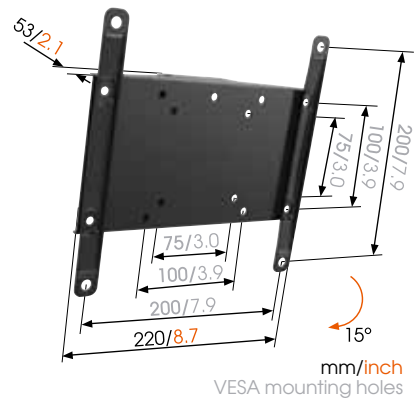
MAX. WEIGHT 30 kg

MAX. VESA SIZE 100 x 100 mm

- Ideal for a TV placed high on the wall
- Reliable quality for an affordable price
- Tilt (up to +15°) to avoid reflections



MA 2010



TV SIZE 19-40" / 48-102 cm

MAX. WEIGHT 30 kg

MAX. VESA SIZE 200 x 200 mm

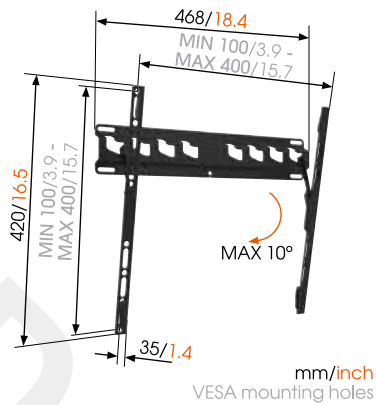
- Ideal for a TV placed high on the wall
- Reliable quality for an affordable price
- Tilt (up to +15°) to avoid reflections



TILT

TV WALL BRACKETS

MA 3010



TV SIZE 32-55" / 81-140 cm

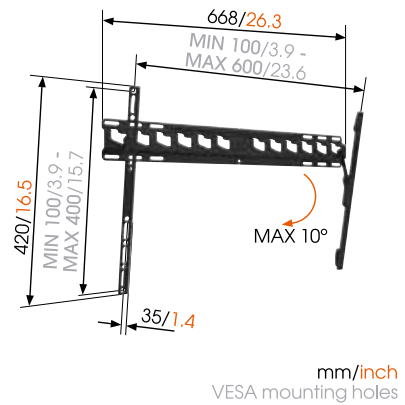
MAX. WEIGHT 40 kg

MAX. VESA SIZE 400 x 400 mm

- Ideal for a TV placed high on the wall
- Reliable quality for an affordable price
- Tilt (up to +10°) to avoid reflections



MA 4010



TV SIZE 40-65" / 102-165 cm

MAX. WEIGHT 60 kg

MAX. VESA SIZE 600 x 400 mm

- Ideal for a TV placed high on the wall
- Reliable quality for an affordable price
- Tilt (up to +10°) to avoid reflections

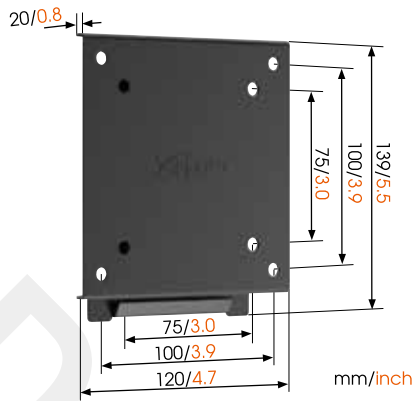


TILT

TV WALL BRACKETS

Flat wall mounts

MA 1000



TV SIZE 17-26" / 43-66 cm

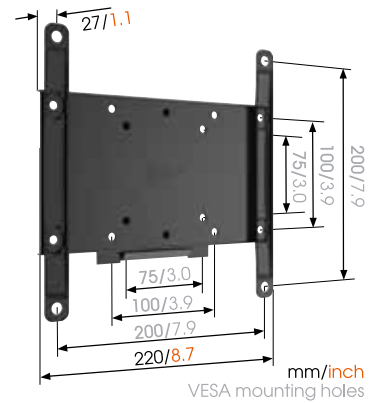
MAX. WEIGHT 30 kg

MAX. VESA SIZE 100 x 100 mm

- Reliable quality for an affordable price
- Mount your TV only 2 cm from the wall



MA 2000



TV SIZE 19-40" / 48-102 cm

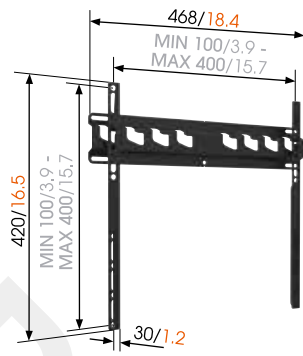
MAX. WEIGHT 30 kg

MAX. VESA SIZE 200 x 200 mm

- Reliable quality for an affordable price
- Mount your TV only 2,7 cm from the wall



MA 3000



mm/inch
VESA mounting holes

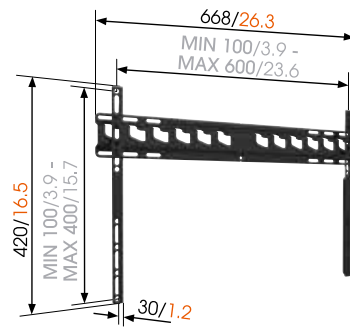
TV SIZE 32-55" / 81-140 cm

MAX. WEIGHT 60 kg

MAX. VESA SIZE 400 x 400 mm

- Reliable quality for an affordable price
- Mount your TV only 3 cm from the wall

MA 4000



mm/inch
VESA mounting holes

TV SIZE 40-80" / 102-203 cm

MAX. WEIGHT 80 kg

MAX. VESA SIZE 600 x 400 mm

- Reliable quality for an affordable price
- Mount your TV only 3 cm from the wall

FLAT

TV WALL BRACKETS





Like a painting on the wall

For consumers who want to create a sophisticated look we offer wall mounts that lie as flat as possible against the wall.



Experience the TV as a painting on the wall

EFW 8105



VESA mounting holes
mm[inch]

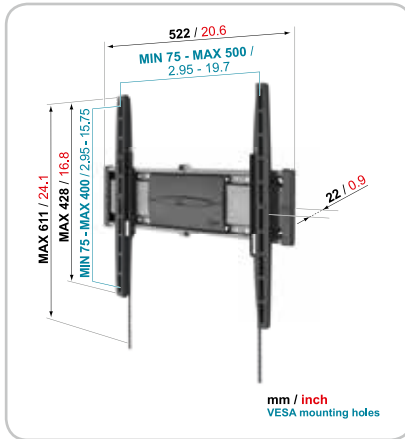
TV SIZE 19-40" / 48-102 cm

MAX. WEIGHT 20 kg

MAX. VESA SIZE 200 x 200 mm

- SuperFlat - only 2 cm from the wall
- Autolock®
- Integrated spirit level

EFW 8206



mm / inch
VESA mounting holes

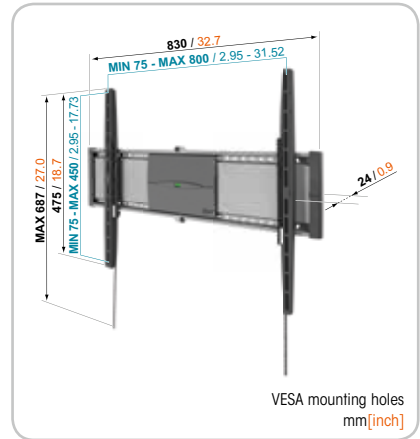
TV SIZE 32-55" / 81-140 cm

MAX. WEIGHT 30 kg

MAX. VESA SIZE 500 x 400 mm

- SuperFlat - only 2,2 cm from the wall
- Autolock®
- Integrated spirit level

EFW 8305



VESA mounting holes
mm[inch]

TV SIZE 40-80" / 102-203 cm

MAX. WEIGHT 70 kg

MAX. VESA SIZE 800 x 450 mm

- SuperFlat - only 2,4 cm from the wall
- Autolock®
- Integrated spirit level



Universal TV wall mount

EFW 8105



LED/LCD/Plasma wall mount

FLAT

32-55
81-140



LED/LCD/Plasma wall mount

FLAT

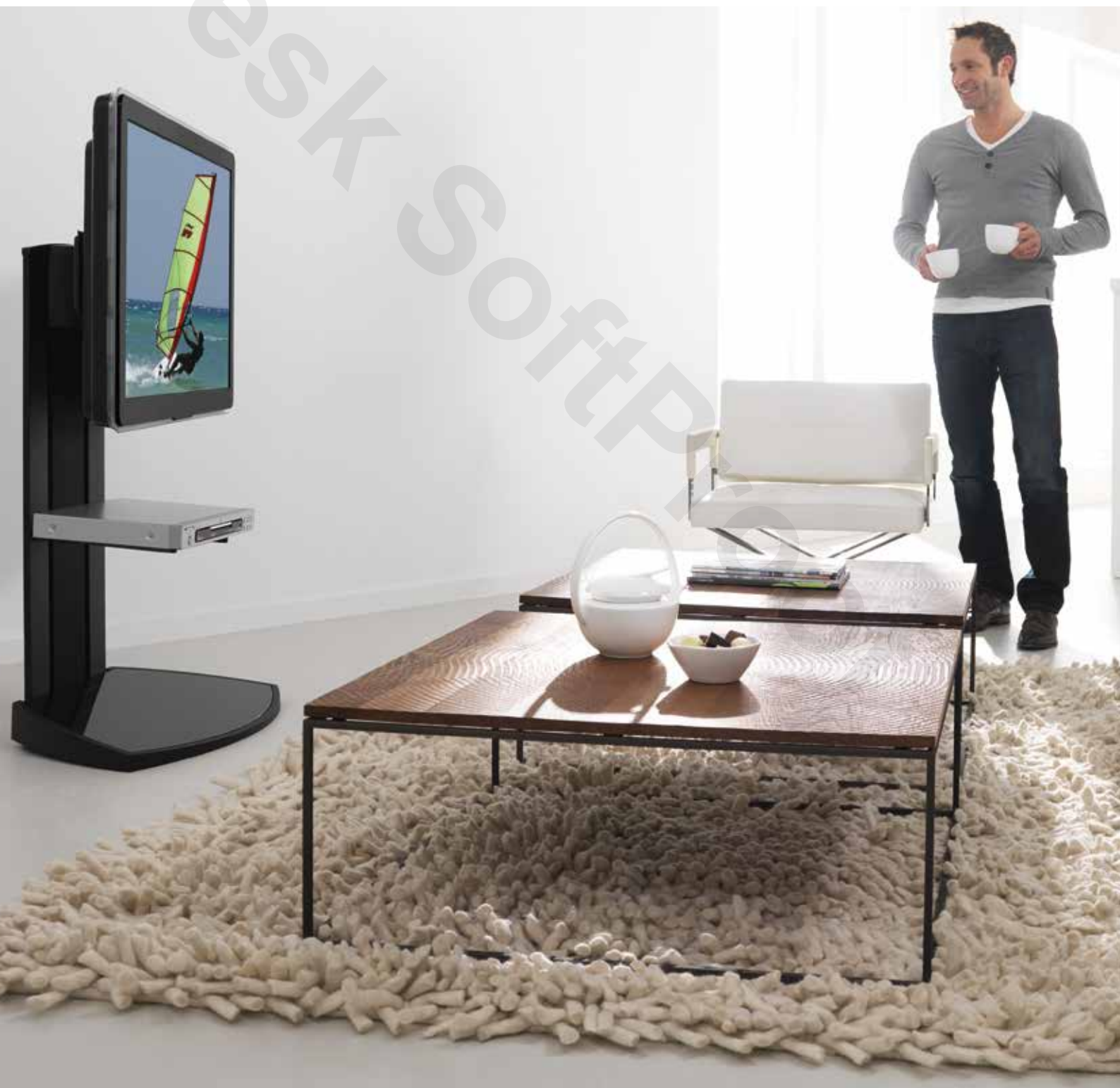
40-80
102-203

FLAT

TV WALL BRACKETS

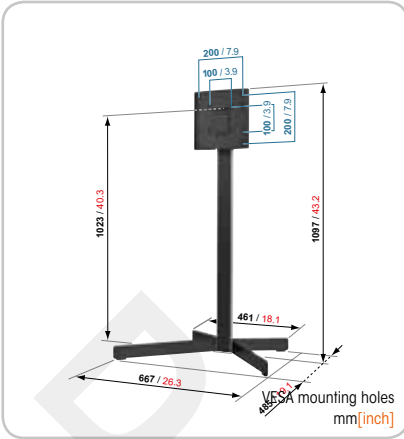
Floor stands

Place the TV anywhere in the room with one of our floor stands. They offer a practical and attractive alternative to wall mounts and take up less space than a traditional cabinet.



Floor stands: standing room only

EFF 8230



TV SIZE 19-40" / 48-102 cm

MAX. WEIGHT 30 kg

MAX. VESA SIZE 200 x 200 mm

- 60° turning range
- Cable Inlay System (CIS®)



EFF 8330



TV SIZE 40-65" / 102-165 cm

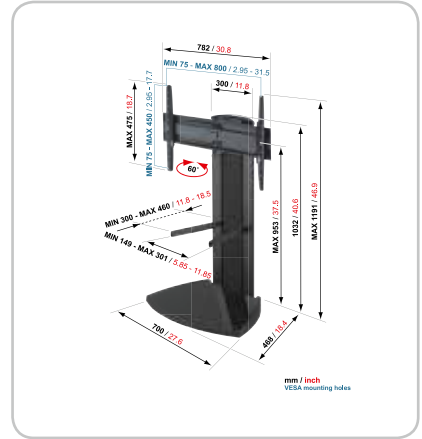
MAX. WEIGHT 45 kg

MAX. VESA SIZE 800 x 450 mm

- 60° turning range
- Cable Inlay System (CIS®)
- Autolock®
- Integrated spirit level



EFF 8340



TV SIZE 40-65" / 102-165 cm

MAX. WEIGHT 45 kg

MAX. VESA SIZE 800 x 450 mm



- 60° turning range
- Height adjustable
- AV multi support included
- Integrated storage
- Cable Inlay System (CIS®)
- Autolock®
- Integrated spirit level
- Available in black or a combination of black and white



TURN

TV FLOOR STANDS

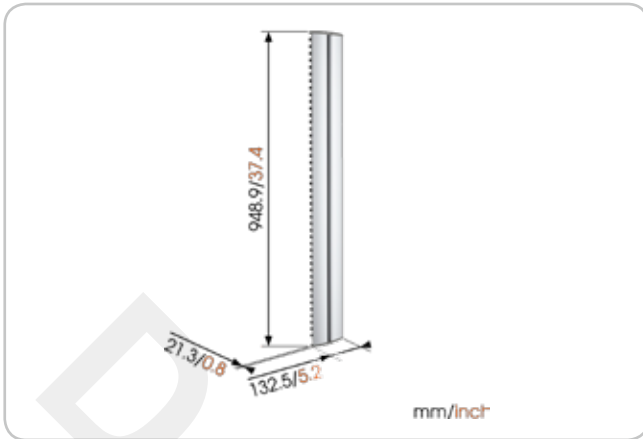
Accessories

Consumers can neatly organise their projectors with our wide choice of supports, and to hide messy cables from sight we offer different solutions for concealing cables.



Organising the TV equipment

CABLE 10 L Cable column

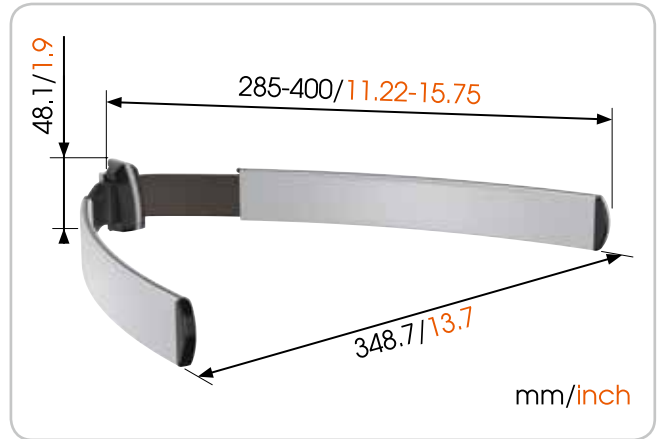


 MAX. WEIGHT 40 kg

- Cable column 94 cm / 37"
- Suitable for 10 cables
- Only 2 cm from the wall
- Combine with AV 10 Multi support to store AV & multimedia equipment (Max. 4x AV 10 Multi support)



AV 10 MULTI SUPPORT AV Multi support

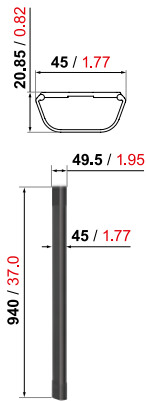


 MAX. WEIGHT 10 kg

- Must be combined with cable column CABLE 10 L
- Can be positioned at any height in the column
- Adjustable arms, fit a wide range of AV & multimedia equipment



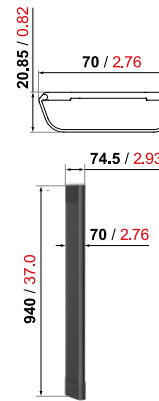
CABLE 4
Universal Cable Cover



mm[inch]

- Cable Cover - 94 cm / 37"
- Suitable for 4 cables
- SuperFlat™ - only 2 cm from the wall
- Cable Inlay System (CIS®)
- Available in black or white

CABLE 8
Universal Cable Cover



mm[inch]

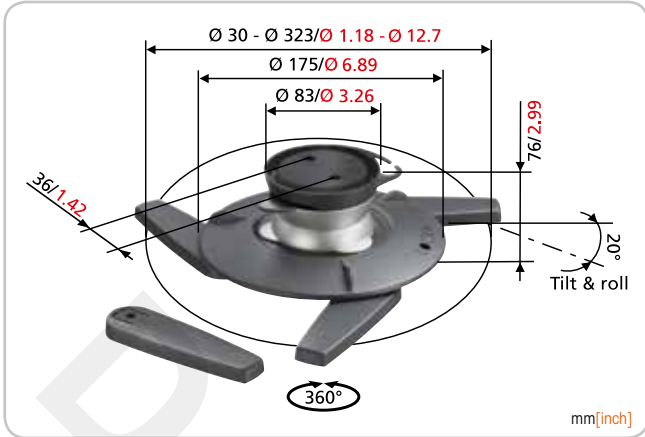
- Cable Cover - 94 cm / 37"
- Suitable for 8 cables
- SuperFlat™ - only 2cm from the wall
- Cable Inlay System (CIS®)
- Available in black or white



Projector solutions

EPC 6545

Projector ceiling solution



mm[inch]

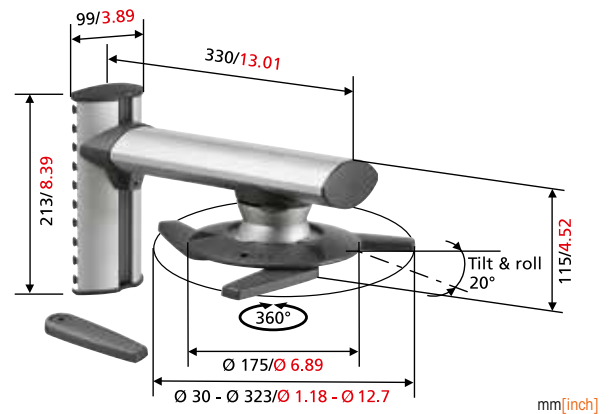
 MAX. WEIGHT 10 kg

- Range of Ø 30-323 mm
- Ceiling cover included to hide cables and mount when not in use
- Adjust & secure feature to lock the projector in position
- Universal, fits virtually every projector




EPW 6565

Projector wall solution



mm[inch]

 MAX. WEIGHT 10 kg

- Range of Ø 30-323 mm
- Reversible mounting possible to mount the projector facing either straight up or upside down
- Universal, fits every projector





SOUND solutions

Everyone can enjoy the music they love wherever they want with a line of speaker mounts and stands.



Get more out of your Denon Heos

SOUND 5201

Wall mount for Denon HEOS 1

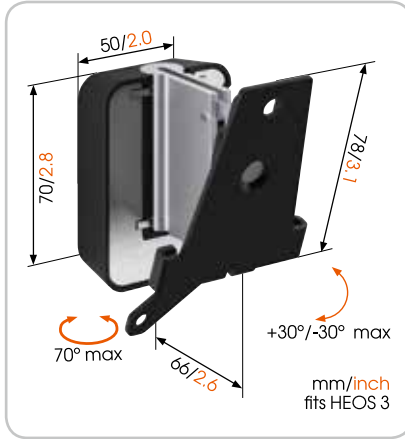


- Mount the Denon HEOS 1 anywhere on the wall
- Turn the mount up to 70° to make sure your speaker sounds best
- Tilt 30° up and down to angle your speaker in the best position
- Extension power cord (1.5 meter) included
- Integrated spirit level supports the installation
- Easy mounting is guaranteed
- Available in black and white



SOUND 5203

Wall mount for Denon HEOS 3



- Mount the Denon HEOS 3 anywhere on the wall
- Turn the mount up to 70° to make sure your speaker sounds best
- Tilt 30° up and down to angle your speaker in the best position
- Extension power cord (1.5 meter) included
- Integrated spirit level supports the installation
- Easy mounting is guaranteed
- Available in black and white



SOUND 5313

Floor stand for Denon HEOS 1/3



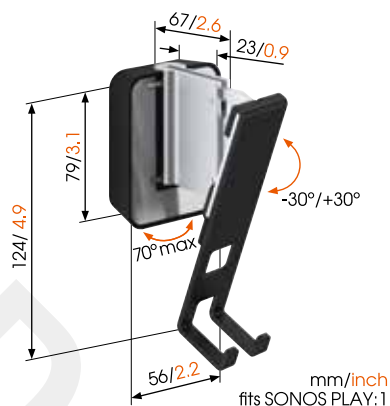
- Place the Denon HEOS 1 or HEOS 3 anywhere in the room
- Raise your speaker to ear level when you're seated
- Easy connect thanks to integrated extension power cord
- Easy mounting is guaranteed
- Available in black and white



Get more out of your Sonos

SOUND 4201

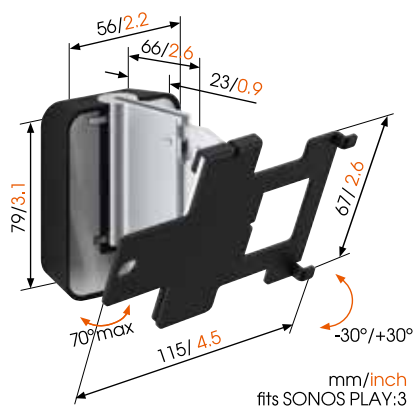
Wall mount for Sonos PLAY:1



- Mount the Sonos PLAY:1 anywhere on the wall
- Turn the mount up to 70° to make sure your speaker sounds best
- Tilt 30° up and down to angle your speaker in the best position
- Easy mounting is guaranteed
- Integrated spirit level supports the installation
- Lock function for more security
- Available in black and white

SOUND 4203

Wall bracket for Sonos PLAY:3



- Mount the Sonos PLAY:3 anywhere on the wall
- Turn the mount up to 70° to make sure your speaker sounds best
- Tilt 30° up and down to angle your speaker in the best position
- Easy mounting is guaranteed
- Integrated spirit level supports the installation
- Lock function for more security
- Available in black and white

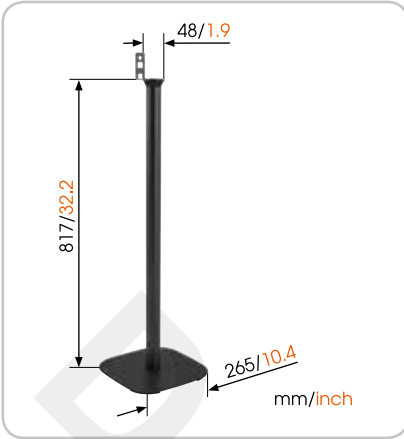
SPEAKER WALL MOUNTS & STANDS



Get more out of your Sonos

SOUND 4301

Floor stand for Sonos PLAY:1

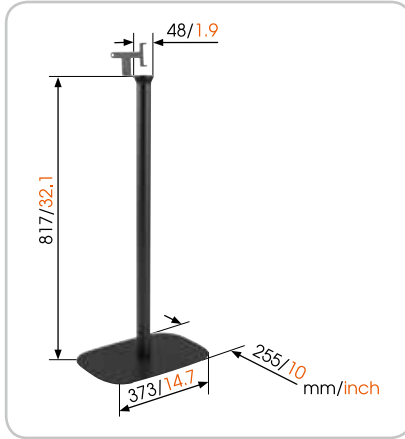


- Place the Sonos PLAY:1 anywhere in the room
- Raise your speaker to ear level when you're seated
- Stylishly conceals all your cables
- Easy connect thanks to integrated extension power cord
- Easy mounting is guaranteed



SOUND 4303

Floor stand for Sonos PLAY:3



- Place the Sonos PLAY:3 anywhere in the room
- Raise your speaker to ear level when you're seated
- Stylishly conceals all your cables
- Easy connect thanks to integrated extension power cord
- Easy mounting is guaranteed
- Available in black and white



SOUND 4113

Table-top Speaker Stand for SONOS



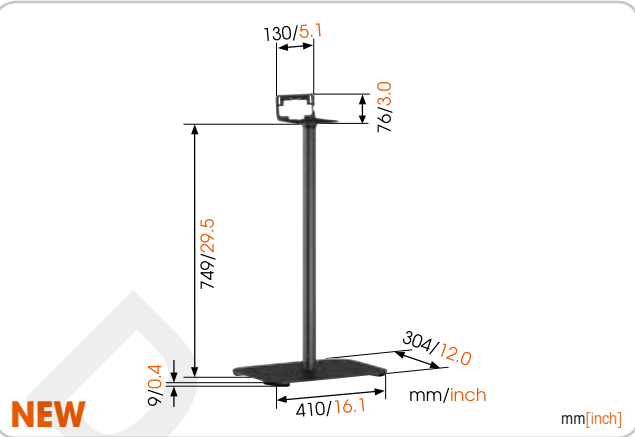
- For SONOS PLAY:1, PLAY:3
- Position your speakers in line of sight
- Turn up to 360°
- Tilt up to 10°
- Ideal to place your speaker for example on top of kitchen counter



Loudspeaker solutions

SOUND 3305

Universal loudspeaker wall mount



MAX. WEIGHT 6.5 kg

- Ideal for Home Cinema front & surround speakers
- Dedicated mounting materials included for SONOS PLAY:5 and Denon HEOS 5
- Raise your speaker to ear level when you're seated
- Easy mounting is guaranteed
- Available in black and white

SOUND 3205

Universal loudspeaker floor stand



MAX. WEIGHT 6.5 kg

- Ideal for Home Cinema front & surround speakers
- Dedicated mounting materials included for SONOS PLAY:5 and Denon HEOS 5/7
- Turn the mount up to 70° to make sure your speaker sounds best
- Tilt 10° up and down to angle your speaker in the best position
- Easy mounting is guaranteed
- Available in black and white



Loudspeaker solutions

SOUND 3200

Universal loudspeaker wall mount



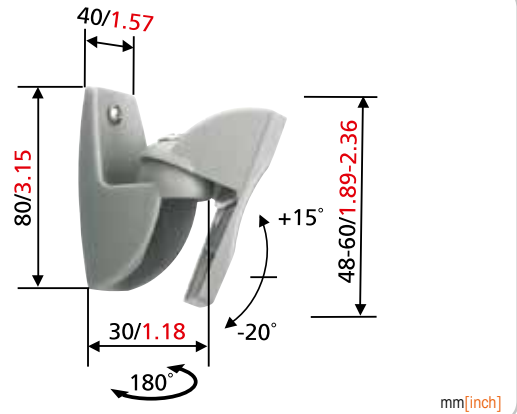
 MAX. WEIGHT 5 kg

- Ideal for Home Cinema front & surround speakers
- Turn the mount up to 70° to make sure your speaker sounds best
- Tilt 30° up and down to angle your speaker in the best position
- Straight mounting guaranteed thanks to the integrated spirit level
- All wall mounting materials included: screws and fischer® plugs
- Available in black and white



VLB 500

Loudspeaker wall mount



 MAX. WEIGHT 5 kg

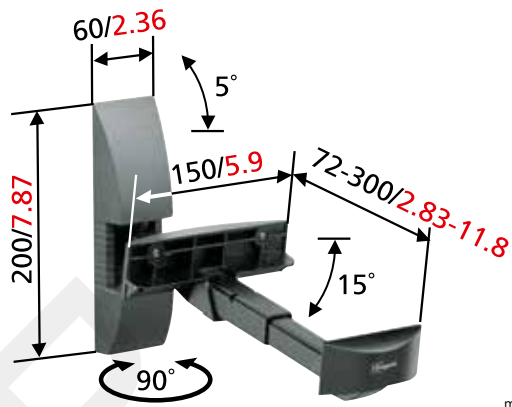
- For surround speakers and smaller hi-fi speakers
- Tilt and turn functions guarantee optimal listening position
- 2 pieces per package
- Available in black and silver



Loudspeaker solutions

VLB 200

Loudspeaker wall mount



mm[inch]

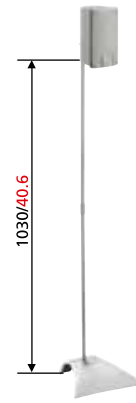
 MAX. WEIGHT 20 kg

- Ideal for so-called bookshelf/standmount Hi-Fi speakers
- No screws required, due to the clamping construction
- 2 pieces per package



VLS 615

Loudspeaker stand



mm[inch]

 MAX. WEIGHT 1.5 kg

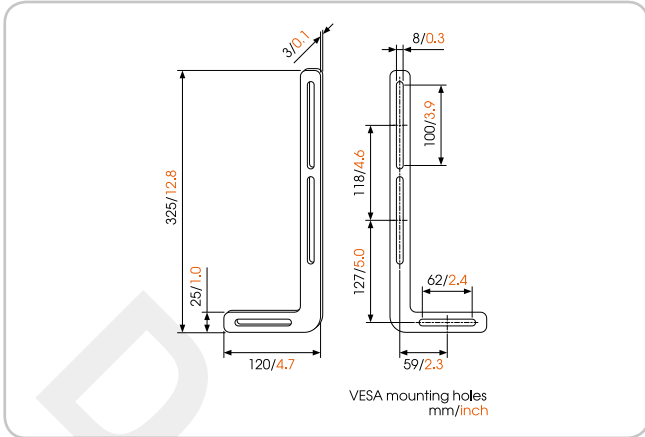
- For Home Cinema front & surround speakers
- Cable Inlay System (CIS®)
- Spiked feet (rubber feet included for delicate floors)
- Three speaker-mounting options - suitable for most brands of surround speakers
- 2 pieces per package



Sound bar solutions

SOUND 1250

Universal Sound Bar mount

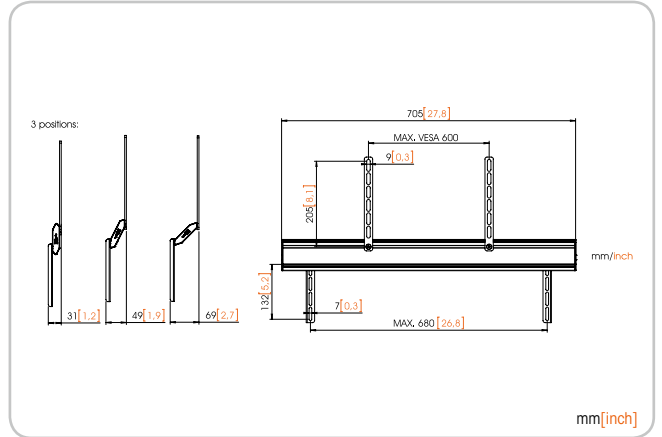


- Universal Sound Bar mount
- Can be used in combination with any swivel TV Wall mount
- Height adjustable



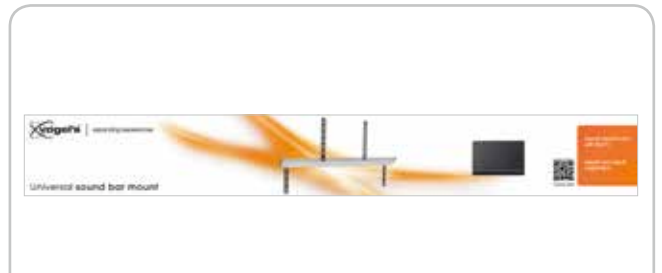
SOUND 3450

Universal Sound Bar mount



 MAX. VESA SIZE 600 mm

- Universal Sound Bar mount
- Turn sound with TV
- Can be used in combination with any swivel TV wall mount (Max. VESA 600)
- Can be leveled in height and depth
- Easy to install



Personal devices

Now tablet users can enjoy all their favourite entertainment and apps in the kitchen, bathroom and car with Vogel's Tablet Mounts.



Tablet Mounts for in the home

TMS 1010 Tablet Wall Pack



- Tablet Wall Pack consists of Tablet Holder and two Wall Mounts
- Adhesive mounting option
- Holder fits all tablet brands
- Fits all tablets 15 - 22 cm in width or height
- RingO Technology inside
- Holder with tablet can be clicked on and off easily
- Ultra thin mounting
- 360° rotation
- Easy to use



TMS 1030 Tablet Flex Pack



- Tablet Flex Pack consists of Tablet Holder and Flex Mount
- Holder fits all tablet brands
- RingO Technology inside
- Fits all tablets 15 - 22 cm in width or height
- Holder with tablet can be clicked on and off easily
- Smart click mounting
- 90° free tilt, 180° full swivel/turn
- Extends to that perfect position
- 360° rotation
- Easy to use



Tablet Mounts for on the road

TMS 1020 Tablet Car Pack



- Tablet Car Pack consists of Tablet Holder and Car Mount
- Holder fits all tablet brands
- RingO Technology inside
- Fits all tablets 15 - 22 cm in width or height
- Holder with tablet can be clicked on and off easily
- Car Mount can be securely fixed to the front seat headrest
- 360° rotation
- No tools required for installation



TMS 1050 Tablet Dashboard Pack



- Tablet Dashboard Pack consists of Tablet Holder and Dashboard Mount
- Holder fits all tablet brands
- RingO Technology inside
- Fits all tablets 15 - 22 cm in width or height
- Holder with tablet can be clicked on and off easily
- Dashboard Mount snaps easily to the windscreen, with secure clip
- Adhesive disc for secure dashboard mounting
- 360° rotation
- No tools required for installation



Tablet Mounts

TMM 1000 Tablet Holder



- Must be combined with Tablet Flex Mount, Tablet Wall Mount, Tablet Car Mount or Tablet Dashboard Mount
- Fit all tablet brands
- Secure fit through horizontal and vertical grip and anti-slip material
- RingO Technology inside
- Holder with tablet can be clicked on and off easily
- Tablet can be rotated 360 degrees when mounted



TV WALL BRACKETS

Type nr.	Functionality	Generally used for	Screen size	Max. VESA	Max. TV weight	Min. distance to the wall	Max. distance from the wall	Adjustability		
								Tilt	Turn	Number of pivot points
NEXT 8375 Black	TURN 120°	Living room	40-65" / 102-165 cm	600 x 400 mm	30 kg	7.2 cm	72 cm		up to 120 °	4
NEXT 8365 Black	TURN 120°	Living room	40-65" / 102-165 cm	600 x 400 mm	30 kg	7.2 cm	72 cm		up to 120 °	4
NEXT 7355 Black	TURN 120°	Living room	40-65" / 102-165 cm	600 x 400 mm	30 kg	7.2 cm	72 cm		up to 120 °	4
NEXT 7345 Black	TURN 120°	Living room	40-65" / 102-165 cm	600 x 400 mm	30 kg	7.2 cm	72 cm	up to 20 °	up to 120 °	4
NEXT 7346 Black	TURN 120°	Living room	40-65" / 102-165 cm		30 kg	7.2 cm	72 cm		up to 120 °	4
THIN 545 Black	TURN 180°	Living room	40-65" / 102-165 cm	600 x 400 mm	25 kg	3.5 cm	63 cm	up to 20 °	up to 180 °	3
THIN 545 White	TURN 180°	Living room	40-65" / 102-165 cm	600 x 400 mm	25 kg	3.5 cm	63 cm	up to 20 °	up to 180 °	3
THIN 445 Black	TURN 180°	Bedroom	26-55" / 66-140 cm	400 x 400 mm	18 kg	3.5 cm	51 cm	up to 20 °	up to 180 °	3
THIN 445 White	TURN 180°	Bedroom	26-55" / 66-140 cm	400 x 400 mm	18 kg	3.5 cm	51 cm	up to 20 °	up to 180 °	3
THIN 525 Black	TURN 120°	Living room	40-65" / 102-165 cm	600 x 400 mm	25 kg	3.5 cm	37 cm	up to 20 °	up to 120 °	2
THIN 425 Black	TURN 120°	Bedroom	26-55" / 66-140 cm	400 x 400 mm	18 kg	3.5 cm	30 cm	up to 20 °	up to 120 °	2
THIN 515 Black	TILT 15°	Living room	40-65" / 102-165 cm	600 x 400 mm	25 kg	2 cm		up to 15 °		
THIN 415 Black	TILT 15°	Bedroom	26-55" / 66-140 cm	400 x 400 mm	18 kg	2 cm		up to 15 °		
THIN 505 Black	FLAT	Living room	40-65" / 102-165 cm	600 x 400 mm	40 kg	1.5 cm				
THIN 405 Black	FLAT	Bedroom	26-55" / 66-140 cm	400 x 400 mm	25 kg	1.5 cm				
THIN 550 Black	TURN 120°	Living room	40-100" / 102-254 cm	600 x 400 mm	70 kg	5.8 cm	63 cm	up to 20 °	up to 120 °	
W53060 Black	TURN 180°	Living room	19-40" / 48-102 cm	200 x 200 mm	15 kg	7 cm	41 cm	up to +10/-10°	up to 180 °	3
W53070 Black	TURN 180°	Living room	32-55" / 81-140 cm	400 x 400 mm	20 kg	5.3 cm	54 cm	up to +20 °	up to 180 °	3
W53071 White	TURN 180°	Living room	32-55" / 81-140 cm	400 x 400 mm	20 kg	5.3 cm	54 cm	up to +20 °	up to 180 °	3
W53080 Black	TURN 180°	Living room	40-65" / 102-165 cm	600 x 400 mm	30 kg	5.5 cm	54 cm	up to +20 °	up to 180 °	3
W53081 White	TURN 180°	Living room	40-65" / 102-165 cm	600 x 400 mm	30 kg	5.5 cm	54 cm	up to +20 °	up to 180 °	3
W52060 Black	TURN 120°	Living room	19-40" / 48-102 cm	200 x 200 mm	15 kg	5.8 cm	24 cm	up to +10/-10°	up to 120 °	2
W52070 Black	TURN 120°	Living room	32-55" / 81-140 cm	400 x 400 mm	20 kg	5.3 cm	32 cm	up to +20 °	up to 120 °	2
W52080 Black	TURN 120°	Living room	40-65" / 102-165 cm	600 x 400 mm	30 kg	5.3 cm	32 cm	up to +20 °	up to 120 °	2
WALL 1020 Black	TURN 60°	Bedroom	17-26" / 43-66 cm	100 x 100 mm	15 kg	7 cm		up to +10/-10°	up to 60 °	1
WALL 1120 Black	TURN 60°	Bedroom	19-37" / 48-94 cm	200 x 200 mm	15 kg	7 cm		up to +10/-10°	up to 60 °	1
W50610 Black	TILT 15°	Living room	19-40" / 48-102 cm	200 x 200 mm	20 kg	5.1 cm		up to +15 °		
W50710 Black	TILT 15°	Living room	32-55" / 81-140 cm	400 x 400 mm	30 kg	3.7 cm		up to +15 °		
W50810 Black	TILT 15°	Living room	40-65" / 102-165 cm	600 x 400 mm	40 kg	3.7 cm		up to +15 °		
W50060 Black	FLAT	Living room	19-40" / 48-102 cm	200 x 200 mm	20 kg	2.3 cm				
W50070 Black	FLAT	Living room	32-55" / 81-140 cm	400 x 400 mm	50 kg	2.3 cm				
W50080 Black	FLAT	Living room	40-100" / 102-254 cm	600 x 400 mm	80 kg	2.3 cm				
WALL 3250 Black	TURN 120°	Living room	32-55" / 81-140 cm	400 x 400 mm	35 kg	9.4 cm	46 cm	up to +15/-15°	up to 120 °	3
WALL 3350 Black	TURN 120°	Living room	40-65" / 102-165 cm	600 x 400 mm	45 kg	9.8 cm	60 cm	up to +15/-15°	up to 120 °	3
WALL 3450 Black	TURN 120°	Living room	55-100" / 140-254 cm	800 x 400 mm	55 kg	10.8 cm	61 cm	up to +15/-15°	up to 120 °	3
MA2040-A1	TURN 180°	Kitchen	19-40" / 48-102 cm	200 x 200 mm	15 kg	8.5 cm	39.5 cm	up to +15 °	up to 180 °	3

App controlled	Automatic motion	Integrated sound	Designed for OLED TV	TUV certified	Colour	Guarantee	Item nr.	EAN code single carton	# in outer carton	Page
✓	✓	✓	LG OLED G6, E6, C6 and B6	✓	Black with aluminium details	Life time	8737080	8712285330643	1	7
		✓		✓	Black with aluminium details	Life time*	8735080 + 0887010	8712285330629 + 8712285330780	1	8
✓	✓			✓	Black with aluminium details	Life time	8734070	8712285330605	1	9
				✓	Black with aluminium details	Life time	8733070	8712285325304	2	10
				✓	Black with aluminium details	Life time	8738070	8712285334863	2	11
				✓	Black	Life time	8395450	8712285335044	3	15
				✓	White	Life time	8395451	8712285335068	3	15
				✓	Black	Life time	8394450	8712285334948	3	15
				✓	White	Life time	8394451	8712285334962	3	15
				✓	Black	Life time	8395250	8712285335020	3	16
				✓	Black	Life time	8394250	8712285334924	3	16
				✓	Black	Life time	8395150	8712285335006	5	17
				✓	Black	Life time	8394150	8712285334900	6	17
				✓	Black	Life time	8395050	8712285334986	6	18
				✓	Black	Life time	8394050	8712285334887	6	18
				✓	Black	Life time	8395500	8712285335082	2	19
				✓	Black	Life time	8453060	8712285328305	3	21
				✓	Black	Life time	8353070	8712285324420	3	22
				✓	White	Life time	8353071	8712285325489	3	22
				✓	Black	Life time	8353080	8712285324505	3	23
				✓	White	Life time	8353081	8712285325526	3	23
				✓	Black	Life time	8452060	8712285328268	3	24
				✓	Black	Life time	8352070	8712285324383	3	24
				✓	Black	Life time	8352080	8712285324468	3	24
				✓	Black	Life time	8351060	8712285320620	3	25
				✓	Black	Life time	8351070	8712285320668	3	25
				✓	Black	Life time	8450610	8712285330124	3	26
				✓	Black	Life time	8450710	8712285330148	3	26
				✓	Black	Life time	8450810	8712285330162	3	26
				✓	Black	Life time	8450060	8712285330049	5	27
			✓	Black	Life time	8450070	8712285330063	3	27	
			✓	Black	Life time	8450080	871225330087	3	27	
			✓	Black	Life time	8354120	8712285335563	2	28	
			✓	Black	Life time	8354130	8712285335587	2	28	
			✓	Black	Life time	8354140	8712285335600	1	28	
			✓	Black	2 years	8562040	8712285331541	5	30	

MA3040-A1	TURN 180°	Living room	32-55" / 81-140 cm	400 x 400 mm	25 kg	8.5 cm	39.5 cm	up to +15 °	up to 180 °	3
MA3030-A1	TURN 120°	Living room	32-55" / 81-140 cm	400 x 400 mm	25 kg	9 cm	27 cm	up to +15 °	up to 120 °	2
MA2030-A1	TURN 120°	Kitchen	19-40" / 48-102 cm	200 x 200 mm	15 kg	9 cm	27 cm	up to +15 °	up to 120 °	2
MA1010-A1	TILT 15°	Bedroom	17-26" / 43-66 cm	100 x 100 mm	30 kg	4.6 cm		up to +15 °		
MA2010-A1	TILT 15°	Bedroom	19-40" / 48-102 cm	200 x 200 mm	30 kg	5.3 cm		up to +15 °		
MA3010-A1	TILT 10°	Kitchen	32-55" / 81-140 cm	400 x 400 mm	40 kg	3.5 cm		up to +10 °		
MA4010-A1	TILT 10°	Bedroom	40-65" / 102-165 cm	600 x 400 mm	60 kg	3.5 cm		up to +10 °		
MA1000-A1	FLAT	Kitchen	17-26" / 43-66 cm	100 x 100 mm	30 kg	2 cm				
MA2000-A1	FLAT	Kitchen	19-40" / 48-102 cm	200 x 200 mm	30 kg	2.7 cm				
MA3000-A1	FLAT	Kitchen	32-55" / 81-140 cm	400 x 400 mm	60 kg	3 cm				
MA4000-A1	FLAT	Living room	40-80" / 102-203 cm	600 x 400 mm	80 kg	3 cm				
EFW 8105 Black	FLAT	Bedroom	19-40" / 48-102 cm	200 x 200 mm	20 kg	2 cm				
EFW 8206 Black	FLAT	Living room	32-55" / 81-140 cm	500 x 400 mm	30 kg	2.2 cm				
EFW 8305 Black	FLAT	Living room	40-80" / 102-203 cm	800 x 450 mm	70 kg	2.4 cm				

TV STUD ADAPTER FOR TV BRACKETS

Type nr.	Description	Stud mounting	Max. distance stud frames	Suitable for	Max. weight
THIN 595 Black	Stud adapter for TV brackets	Double stud	60 cm	THIN 550, THIN 545, THIN 525	70 kg

TV BRACKET ACCESSORIES

Type nr.	Description	Universal	Suitable for # cables	Can be combined with	Length	Width	Depth
NEXT 7840 ALU	Cable Column	✓	10	NEXT 7825	100 cm	13 cm	2 cm
NEXT 7825 Black	AV Multi Support	✓		NEXT 7840, CABLE 10 L		67 cm	31 cm
OPHANG		✓		NEXT OP1			
CABLE 10 L Silver	Cable column	✓	10	AV 10 MULTI SUPPORT, NEXT 7825 (max 4)	94 cm	13.2 cm	
AV 10 MULTI SUPPORT	AV Multi support	✓		CABLE 10 L, NEXT 7840			
CABLE 4 Black	Universal Cable Cover	✓	4		94 cm	4.5 cm	
CABLE 4 White	Universal Cable Cover	✓	4		94 cm	4.5 cm	
CABLE 8 Black	Universal Cable Cover	✓	8		94 cm	7 cm	
CABLE 8 White	Universal Cable Cover	✓	8		94 cm	7 cm	

				✓	Black	2 years	8553040	8712285331381	5	30
				✓	Black	2 years	8553030	8712285331367	5	31
				✓	Black	2 years	8552030	8712285331282	5	31
				✓	Black	2 years	8551010	8712285331220	5	32
				✓	Black	2 years	8552010	8712285331268	5	32
				✓	Black	2 years	8553010	8712285331343	6	33
				✓	Black	2 years	8554010	8712285331428	6	33
				✓	Black	2 years	8551000	8712285331206	10	34
				✓	Black	2 years	8552000	8712285331244	10	34
				✓	Black	2 years	8553000	8712285331329	6	35
				✓	Black	2 years	8554000	8712285331404	6	35
				✓	Black	Life time	8381050	8712285315404	8	37
				✓	Black	Life time	8382060	8712285329142	4	37
				✓	Black	Life time	8383050	8712285315527	4	37

TUV certified	Colour	Guarantee	Item nr.	EAN code single carton	# in outer carton	Page
	Black	Life time	8395950	8712285335228	1	19

Max. weight	TUV certified	Colour	Guarantee	Item nr.	EAN code single carton	# in outer carton	Page
40 kg	✓	Aluminium	Life time	8736074	8712285325342	4	13
10 kg	✓	Aluminium	Life time	8736070	8712285325328	2	13
	✓	Aluminium	2 years	8746292	8712285337529	1	13
40 kg	✓	Silver	Life time	8357434	8712285323089	10	41
10 kg	✓	Silver	Life time	8357444	8712285323102	3	41
		Black	Life time	8387400	8712285316807	10	42
		White	Life time	8387401	8712285316821	10	42
		Black	Life time	8387410	8712285316869	10	42
		White	Life time	8387411	8712285316821	10	42

TV FLOOR STANDS

Type nr.	Description	Generally used for	Screen size	Max. VESA	Max. TV weight	Placement	Adjustability	
						Floor	Turn	Height
NEXT OP1 Oak		Living room	46-70" / 117-178 cm	400 x 400 mm	40 kg	✓		
EFF 8230 Black	TURN 60°	Living room	19-40" / 48-102 cm	200 x 200 mm	30 kg	✓	up to 60 °	up to 120 cm
EFF 8330 Black	TURN 60°	Living room	40-65" / 102-165 cm	800 x 450 mm	45 kg	✓	up to 60 °	up to 120 cm
EFF 8340 Black	TURN 60°	Living room	40-65" / 102-165 cm	800 x 450 mm	45 kg	✓	up to 60 °	up to 120 cm
EFF 8340 White	TURN 60°	Living room	40-65" / 102-165 cm	800 x 450 mm	45 kg	✓	up to 60 °	up to 120 cm

SPEAKER WALL MOUNTS & STANDS

Type nr.	Description	Speaker category	Adjustability			Max. weight	Placement
			Tilt	Turn	Height		
SOUND 5201 Black		Denon HEOS 1	up to +/-30 °	up to 70 °			Wall
SOUND 5201 White		Denon HEOS 1	up to +/-30 °	up to 70 °			Wall
SOUND 5203 Black		Denon HEOS 3	up to +/-30 °	up to 70 °			Wall
SOUND 5203 White		Denon HEOS 3	up to +/-30 °	up to 70 °			Wall
SOUND 5313 Black		Denon HEOS 1, Denon HEOS 3			up to 82 cm		Floor
SOUND 5313 White		Denon HEOS 1, Denon HEOS 3			up to 82 cm		Floor
SOUND 4201 Black	Wall mount for Sonos PLAY:1	Sonos PLAY:1	up to +/-30 °	up to 70 °			Wall
SOUND 4201 White	Wall mount for Sonos PLAY:1	Sonos PLAY:1	up to +/-30 °	up to 70 °			Wall
SOUND 4203 Black	Wall bracket for Sonos PLAY:3	Sonos PLAY:3	up to +/-30 °	up to 70 °			Wall
SOUND 4203 White	Wall bracket for Sonos PLAY:3	Sonos PLAY:3	up to +/-30 °	up to 70 °			Wall
SOUND 4301 Black	Floor stand for Sonos PLAY:1	Sonos PLAY:1			up to 82 cm		Floor
SOUND 4301 White	Floor stand for Sonos PLAY:1	Sonos PLAY:1			up to 82 cm		Floor
SOUND 4303 Black	Floor stand for Sonos PLAY:3	Sonos PLAY:3			up to 82 cm		Floor
SOUND 4303 White	Floor stand for Sonos PLAY:3	Sonos PLAY:3			up to 82 cm		Floor
SOUND 4113 Black	Table-top Speaker Stand for SONOS PLAY:1/3	Sonos PLAY:1, Sonos PLAY:3	up to +10 °	up to 360 °			Table top
SOUND 4113 White	Table-top Speaker Stand for SONOS PLAY:1/3	Sonos PLAY:1, Sonos PLAY:3	up to +10 °	up to 360 °			Table top
SOUND 3305 Black	Universal loudspeaker wall mount	Sonos PLAY:5, Large, Denon HEOS 5			up to 75 cm	6.5 kg	Floor
SOUND 3305 White	Universal loudspeaker wall mount	Sonos PLAY:5, Large, Denon HEOS 5			up to 75 cm	6.5 kg	Floor
SOUND 3205 Black	Universal loudspeaker floor stand	Sonos PLAY:5, Large, Denon HEOS 5, Denon HEOS 7	up to 0/-10 °	up to 70 °		6.5 kg	Wall
SOUND 3205 White	Universal loudspeaker floor stand	Sonos PLAY:5, Large, Denon HEOS 5, Denon HEOS 7	up to 0/-10 °	up to 70 °		6.5 kg	Wall
SOUND 3200 Black	Universal loudspeaker wall mount	Small	up to +/-30 °	up to 70 °		5 kg	Wall
SOUND 3200 White	Universal loudspeaker wall mount	Small	up to +/-30 °	up to 70 °		5 kg	Wall
VLB 500 Black	Loudspeaker wall mount	Medium		up to 180 °		5 kg	Wall
VLB 500 Silver	Loudspeaker wall mount	Medium		up to 180 °		5 kg	Wall
VLB 200 Black	Loudspeaker wall mount	Large		up to 90 °		20 kg	Wall

	CIS* - Cable inlay system	TUV certified	Colour	Guarantee	Item nr.	EAN code single carton	# in outer carton	Page
	✓	✓	Wood	2 years	8743232	8712285337543	1	12
	✓	✓	Black	Life time	8382300	8712285317866	1	39
	✓	✓	Black	Life time	8383300	8712285317880	1	39
	✓	✓	Black	Life time	8383400	8712285315565	1	39
	✓	✓	White	Life time	8383401	8712285316425	1	39

	Loudspeaker fixture		CIS* - Cable inlay system	TUV certified	Colour	Guarantee	Item nr.	EAN code single carton	# in outer carton	Page
	Screws	Clamping								
✓			✓	Black	5 years	8155210	8712285333804	4	45	
✓			✓	White	5 years	8155211	8712285333828	4	45	
✓			✓	Black	5 years	8155230	8712285333842	4	45	
✓			✓	White	5 years	8155231	8712285333866	4	45	
✓			✓	Black	5 years	8155300	8712285333880	2	45	
✓			✓	White	5 years	8155301	8712285333903	2	45	
✓			✓	Black	5 years	8152010	8712285329623	4	46	
✓			✓	White	5 years	8152011	8712285329647	4	46	
✓			✓	Black	5 years	8152030	8712285329661	4	46	
✓			✓	White	5 years	8152031	8712285329685	4	46	
✓			✓	Black	5 years	8153010	8712285329784	2	47	
✓			✓	White	5 years	8153011	8712285329807	2	47	
✓			✓	Black	5 years	8153030	8712285329821	2	47	
✓			✓	White	5 years	8153031	8712285329845	2	47	
✓			✓	Black	5 years	8154100	8712285334443	4	47	
✓			✓	White	5 years	8154101	8712285334467	4	47	
✓			✓	Black	5 years	8153350	8712285337345	2	48	
✓			✓	Black	5 years	8153351	8712285337369	2	48	
✓			✓	Black	5 years	8153250	8712285337307	2	48	
✓			✓	White	5 years	8153251	8712285337321	2	48	
✓			✓	Black	5 years	8152000	8712285329586	4	49	
✓			✓	White	5 years	8152001	8712285329616	4	49	
✓			✓	Black	Life time	8105000	8712285314186	6	49	
✓			✓	Silver	Life time	8105004	8712285312564	6	49	
	✓		✓	Black	Life time	8120200	8712285001024	3	50	

VLS 615 Silver	Loudspeaker stand	Small				1.5 kg	Floor
----------------	-------------------	-------	--	--	--	--------	-------

SOUND BAR BRACKETS

Type nr.	Description	Universal	Must be combined with	Max Sound Bar weight	Max. pitch between holes
SOUND 1250 Black	Universal Sound Bar mount	✓	any swivel TV wall mount	20 kg	
SOUND 3450 ALU	Universal Sound Bar mount	✓	any swivel TV wall mount	10 kg	68 cm

TABLET HOLDERS

Type nr.	Description	Generally used for	Pack includes	Suitable for			Can be combined with
				All Tablet brands	Tablet size	Tablet thickness	
TMS 1010	Tablet Wall Pack	Bathroom	Tablet Holder + Wall Mount	✓	7-13" / 18-33 cm	0.5 - 1.3 cm	
TMS 1030	Tablet Flex Pack	Kitchen	Tablet Holder + Flex Mount	✓	7-13" / 18-33 cm	0.5 - 1.3 cm	
TMS 1020	Tablet Car Pack	Back of headrest	Tablet Holder + Car Mount	✓	7-13" / 18-33 cm	0.5 - 1.3 cm	
TMS 1050	Tablet Dashboard Pack	Windscreen	Tablet Holder + Dashboard Mount	✓	7-13" / 18-33 cm	0.5 - 1.3 cm	
TMM 1000	Tablet Holder	Anywhere	Tablet Holder	✓	7-13" / 18-33 cm	0.5 - 1.3 cm	

PROJECTOR MOUNTS

Type nr.	Description	Max. weight	Mounting Range Ø	Adjustability				Placement	
				Tilt	Turn	Roll	Height	Ceiling	Wall
EPC 6545 Silver	Projector ceiling solution	10 kg	Ø 3 - 32.3 cm	up to 20 °	up to 360 °	✓		✓	
EPW 6565 Silver	Projector wall solution	10 kg	Ø 3 - 32.3 cm	up to 20 °	up to 360 °	✓			✓

✓	✓	✓	Silver	Life time	8200154	8712285310324	2	50
---	---	---	--------	-----------	---------	---------------	---	----

Max. VESA	Colour	Guarantee	Item nr.	EAN code single carton	# in outer carton	Page
	Black	Life time	8151250	8712285326462	4	51
	Aluminium	Life time	8153450	8712285326684	4	51

Min. distance to the wall	Max. distance from the wall	Adjustability		Guarantee	Item nr.	EAN code single carton	# in outer carton	Page
		Tilt	Rotate					
0.5 cm	20 cm		up to 360 °	5 years	8371010	8712285326707	6	53
4 cm		up to 90 °	up to 360 °	5 years	8371030	8712285326745	6	53
		up to 15 °	up to 360 °	5 years	8371020	8712285326721	6	54
		up to 110 °	up to 360 °	5 years	8371500	8712285326769	6	54
					5 years	8370100	8712285326806	10

Distance to the ceiling / wall	CIS* - Cable inlay system	TUV certified	Colour	Guarantee	Item nr.	EAN code single carton	# in outer carton	Page
7.6 cm	✓	✓	Silver	5 years	8027454	8172285311420	3	43
4.3 cm	✓	✓	Silver	10 years	8023645	8172285311444	3	43

Desk SoftProof

Follow Vogel's

Vogels.com

Facebook.com/vogelsexperience

Pinterest.com/xperience

Linkedin.com/company/vogels



Also available:
Vogel's Pro-AV catalogue
gives a complete overview of
all Vogel's mounting solutions
for the professional market.

